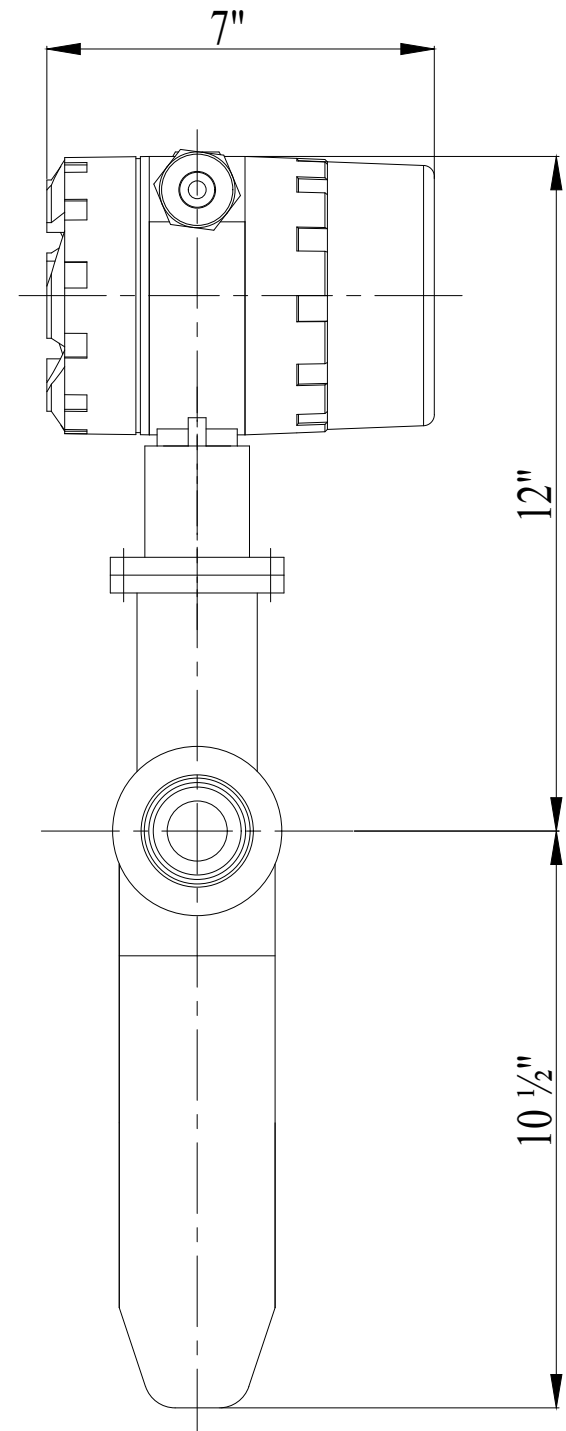
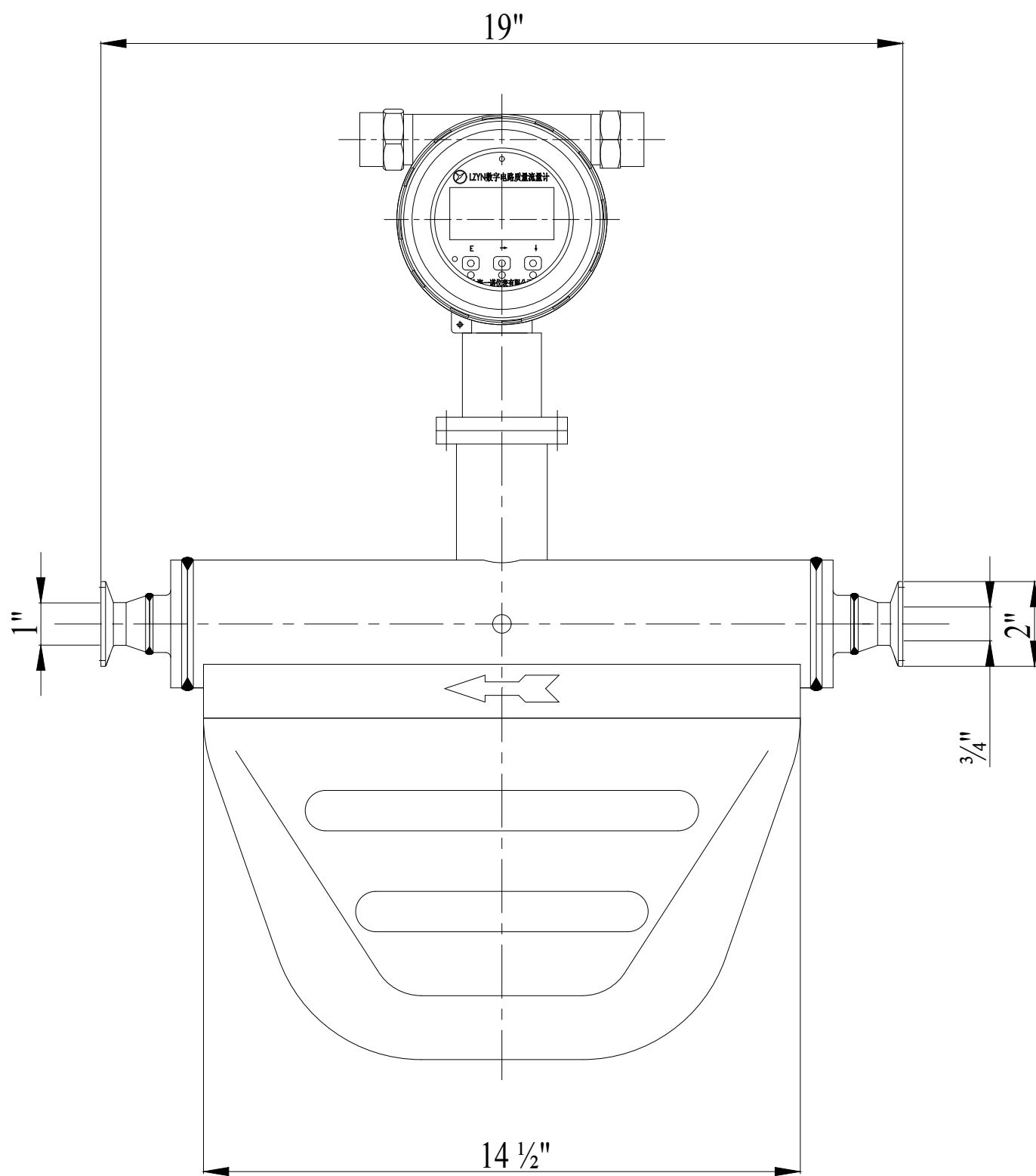


LZYN-025Y1W1S1.6I0.2



SCALE:NTS

STANDARD TOLERANCES UNLESS NOTED:

NO.	CHANGES	BY/DATE

DATE:	NAME:
DWN BY:	
CHKD:	
APPD:	

MATERIAL:
FINISH:
<b>TEKTROL</b> 796 Tek Drive Crystal Lake, IL 60014 USA
FR.NO.

NOTICE: This drawing and the principles and elements of design embodied therein are the exclusive property of TEKTROL LLC and are not to be communication, disclosed, reproduced or used except as previously authorized in writing by such corporation and must not be submitted to outside parties for examination without the written consent of said corporation.

01