



TEK-FLEX 4100B

Two-Wire Loop-Powered OEM TDR Level Transmitter

Instruction Manual

Document Number: IM-4100B



www.tek-trol.com

NOTICE

Read this manual before working with the product. For personal and system safety, and for optimum product performance, make sure you thoroughly understand the contents before installing, using, or maintaining this product.

For technical assistance, contact

Customer Support

796 Tek-Drive

Crystal Lake, IL 60014, USA

Tel: +1 847 857 6076

© COPYRIGHT Tek-Trol LLC 2021

No part of this publication may be copied or distributed, transmitted, transcribed, stored in a retrieval system, or translated into any human or computer language, in any form or by any means, electronic, mechanical, manual, or otherwise, or disclosed to third parties without the express written permission. The information contained in this manual is subject to change without notice.

Table of Contents

1	Safety Instructions	3
1.1	Intended use.....	3
1.2	Certification.....	3
1.3	Electromagnetic compatibility.....	3
1.4	Safety instruction from the manufacturer.....	4
1.4.1	Copyright and data protection.....	4
1.4.2	Disclaimer.....	4
1.4.3	Product liability and warranty.....	5
1.4.4	Information concerning the documentation.....	5
1.4.5	Warnings and symbols used.....	5
1.5	Safety instruction from the manufacturer.....	7
2	Device Description	8
2.1	Device description.....	8
2.2	Nameplates.....	8
3	Installation	9
3.1	Ø2 mm / 0.08” single cable probe (liquid applications).....	9
3.1.1	Scope of delivery.....	9
3.1.2	Transportation.....	9
3.1.3	How to assemble a single cable probe.....	9
3.1.4	Mounting Position.....	11
3.1.5	Installation in standpipes (stilling wells and bypass chambers).....	12
3.1.6	Horizontal cylindrical tanks.....	13
3.2	How to install a device with a threaded connection.....	13
3.3	Recommendations for pits and tanks made of non-conductive materials.....	13
3.4	Recommendations for pits and tanks made of non-conductive materials.....	14
4	Electrical Connections	15
4.1	Safety instructions.....	15
4.2	Electrical installation: 2-wire, loop-powered.....	15
4.3	Protection category.....	17
4.4	How to attach the optional display unit to the device.....	18
5	Start-Up	21
5.1	How to start the device.....	21
5.1.1	Installation in standpipes (stilling wells and bypass chambers).....	21
5.1.2	How to start the device.....	21
5.2	Digital display screen (option).....	22
6	Operation	23
6.1	User modes.....	23
6.2	Normal modes.....	23
6.3	Configuration modes.....	23
6.3.1	How to start the device.....	23
6.3.2	Menu overview.....	24
6.3.1	Function description.....	24
6.4	Further information on device configuration.....	34
6.4.1	Quick Setup.....	34
6.4.2	Test.....	36

6.4.3	Protection of the device settings	37
6.4.4	Distance measurement	37
6.4.5	Level measurement	38
6.4.6	How to configure the device to measure volume or mass	39
6.4.7	How to configure the device to measure volume or mass	41
6.5	Status and error messages	43
6.5.1	Status markers	43
6.5.2	Error handling.....	44
7	Services	47
7.1	Returning the device to the manufacturer.....	47
7.1.1	General information.....	47
7.1.2	Form (for copying) to accompany a returned device.....	47
7.2	Disposal.....	48
8	Technical Data	49
8.1	Measuring principle.....	49
8.2	Technical data.....	50
8.3	Minimum power supply voltage	52
8.4	Measurement limits.....	53
8.5	Dimensions and weights	54
8.6	Model Chart	55

1 Safety Instructions

1.1 Intended use



CAUTION

Responsibility for the use of the measuring devices regarding suitability, intended use and corrosion resistance of the used materials against the measured fluid lies solely with the operator.



INFORMATION

The manufacturer is not liable for any damage resulting from improper use or use for other than the intended purpose.

1/8" (Ø2mm) single cable probe

1.2 Certification

In accordance with the commitment to customer service and safety, the device described in this document meets the following safety requirements:

- Electromagnetic Compatibility (EMC) Directive 2004/108/EC in conjunction with EN 61326-1 (2006) and EN 61326-2-3 (2006).

1.3 Electromagnetic compatibility

The device design agrees with European Standard EN 61326-1 when installed in metallic tanks. You can install the device on open-air tanks and tanks that are not made of metal. This agrees with Emissions requirements for industrial environments (class A). For data on Immunity requirements, refer to the note that follows.



CAUTION

If you install a device with a cable probe in a non-metallic tank or open-air pit, a strong electromagnetic field near to the device can have an unwanted effect on the accuracy. Use a device with a coaxial probe for this type of installation.



INFORMATION

Device operation agrees with residential-class (class B) emissions and industrial-class for immunity requirements if the time constant (menu item 2.3.2 TIME CONST.) ≥ 3 seconds and:

- The device has a single cable probe and is used in a closed tank made of metal or
 - The device has a coaxial probe.
-

1.4 Safety instruction from the manufacturer

1.4.1 Copyright and data protection

The contents of this document have been created with great care. Nevertheless, we provide no guarantee that the contents are correct, complete or up to date.

The contents and works in this document are subject to copyright. Contributions from third parties are identified as such. Reproduction, processing, dissemination and any type of use beyond what is permitted under copyright requires written authorisation from the respective author and/or the manufacturer.

The manufacturer tries always to observe the copyrights of others, and to draw on works created in-house or works in the public domain.

The collection of personal data (such as names, street addresses or e-mail addresses) in the manufacturer's documents is always on a voluntary basis whenever possible. Whenever feasible, it is always possible to make use of the offerings and services without providing any personal data.

We draw your attention to the fact that data transmission over the Internet (e.g. when communicating by e-mail) may involve gaps in security. It is not possible to protect such data completely against access by third parties.

We hereby expressly prohibit the use of the contact data published as part of our duty to publish an imprint for the purpose of sending us any advertising or informational materials that we have not expressly requested.

1.4.2 Disclaimer

The manufacturer will not be liable for any damage of any kind by using its product, including, but not limited to direct, indirect or incidental and consequential damages.

This disclaimer does not apply in case the manufacturer has acted on purpose or with gross negligence. In the event any applicable law does not allow such limitations on implied warranties or the exclusion of limitation of certain damages, you may, if such law applies to you, not be subject to some or all the above disclaimer, exclusions or limitations.

Any product purchased from the manufacturer is warranted in accordance with the relevant product documentation and our Terms and Conditions of Sale.

The manufacturer reserves the right to alter the content of its documents, including this disclaimer in any way, at any time, for any reason, without prior notification, and will not be liable in any way for possible consequences of such changes.

1.4.3 Product liability and warranty

The operator shall bear responsibility for the suitability of the device for the specific purpose. The manufacturer accepts no liability for the consequences of misuse by the operator. Improper installation and operation of the devices (systems) will cause the warranty to be void. The respective "Standard Terms and Conditions" which form the basis for the sales contract shall also apply.

1.4.4 Information concerning the documentation

To prevent any injury to the user or damage to the device it is essential that you read the information in this document and observe applicable national standards, safety requirements and accident prevention regulations.

If this document is not in your native language and if you have any problems understanding the text, we advise you to contact your local office for assistance. The manufacturer cannot accept responsibility for any damage or injury caused by misunderstanding of the information in this document.

This document is provided to help you establish operating conditions, which will permit safe and efficient use of this device. Special considerations and precautions are also described in the document, which appear in the form of underneath icons.

1.4.5 Warnings and symbols used

Safety warnings are indicated by the following symbols



DANGER!

This information refers to the immediate danger when working with electricity



DANGER!

This warning refers to the immediate danger of burns caused by heat or hot surfaces



DANGER!

These warnings must be observed without fail. Even partial disregard of this warning can lead to serious health problems and even death. There is also the risk of seriously damaging the device or parts of the operator's plant information refers to the immediate danger when working with electricity



DANGER!

This information refers to the immediate danger when working with electricity



WARNING!

Disregarding this safety warning, even if only in part, poses the risk of serious health problems. There is also the risk of damaging the device or parts of the operator's plant.



CAUTION

Disregarding these instructions can result in damage to the device or to parts of the operator's plant.



INFORMATION

These instructions contain important information for the handling of the device



LEGAL NOTICE!

This note contains information on statutory directives and standards



HANDLING

This symbol designates all instructions for actions to be carried out by the operator in the specified sequence.



RESULT

This symbol refers to all important consequences of the previous actions.

1.5 Safety instruction from the manufacturer



WARNING!

In general, devices from the manufacturer may only be installed, commissioned operated and maintained by properly trained and authorized personnel. This document is provided to help you establish operating conditions, which will permit safe and efficient use of this device.



DANGER!

This information refers to the immediate danger when working with electricity

2 Device Description

2.1 Device description

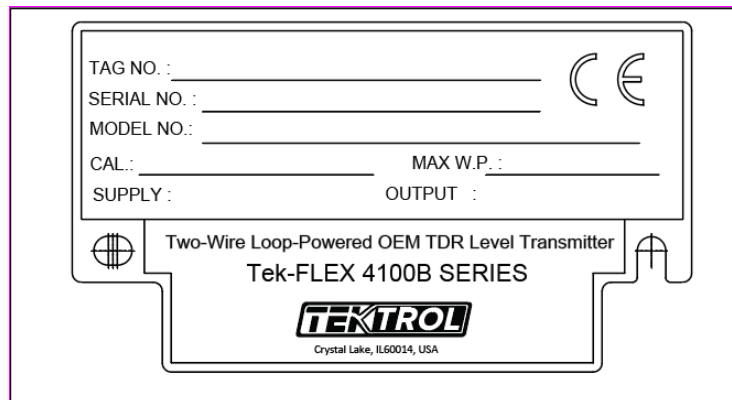
TDR level meters are designed exclusively to measure the distance and level of liquids, pastes, slurries, powders and granulates.

Your measuring device is supplied with a standard length of probe. If the probe length is larger than the tank height, you must adjust the length of the probe to the tank height before operation. A quick set-up procedure permits the device to operate correctly with the new probe length.

The following versions is available:

- Compact version with 1/8" (Ø2mm) single cable probe (for liquids)

2.2 Nameplates



3 Installation

3.1 0.08" (Ø2 mm) single cable probe (liquid applications)

3.1.1 Scope of delivery

The original package consists of

1. Tek-Flex 4100B Two-Wire Loop-Powered OEM TDR Level Transmitter
2. Documentation



INFORMATION

Unpack and check the contents for damages or signs of rough handling. Report damage to the manufacturer immediately. Check the contents against the packing list provided.

3.1.2 Transportation

Avoid impact shocks to the device and prevent it from getting wet during transportation.

- Verify local safety regulations, directives, and company procedures with respect to hoisting, rigging, and transportation of heavy equipment.
- Transport the product to the installation site using the original manufacturer's packing whenever possible.

3.1.3 How to assemble a single cable probe

Adjust the probe length to the tank height

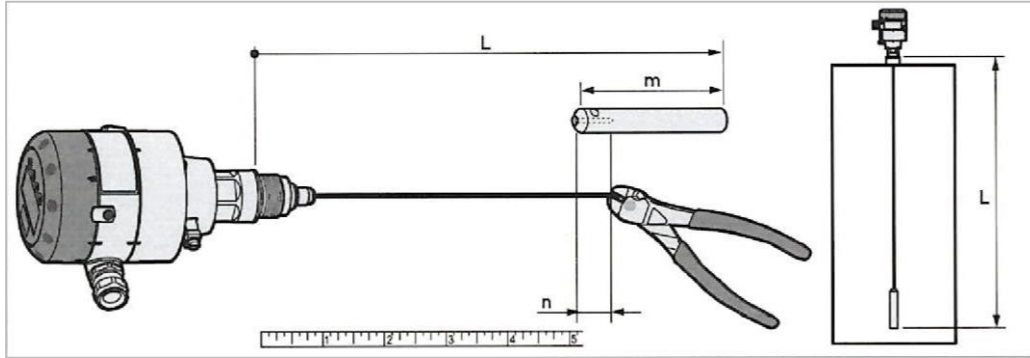


Figure 3-3: How to assemble the $\varnothing 2$ mm / 0.08" single cable probe: part 1

L = Probe length (thread stop to the bottom of the counterweight)

m = Counterweight length = 4" (100 mm)

n = Cable insertion length = 1/2" (15mm)

i INFORMATION

The single cable probe measures between the top of the counterweight and the thread stop on the process connection.

- Measure the probe.
Make sure that you include the length of the counterweight (m) minus the cable insertion length (n).
- Mark the probe length necessary for your application on the cable.
- Cut the cable.

Attach the counterweight

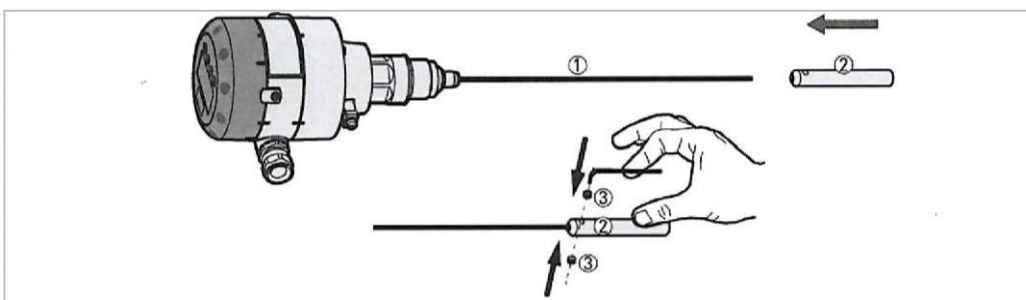


Figure 3-4: How to assemble the single cable probe: part 2

1 Single cable probe

2 Counterweight

3 2 HC M6x5 lock screws



CAUTION

Make sure the cable is fully engaged in the probe counterweight.

- Attach the counterweight.
- Attach the lock screws to the counterweight. Tighten with a 3 mm Allen wrench.
- The device is prepared for installation on the tank.

If you decreased the probe length, you must enter the new value in the device configuration menu (NOTE: the device must have the LCD display option or the HMI service tool). For more data, refer to Quick Setup on page 34.

3.1.4 Mounting Position

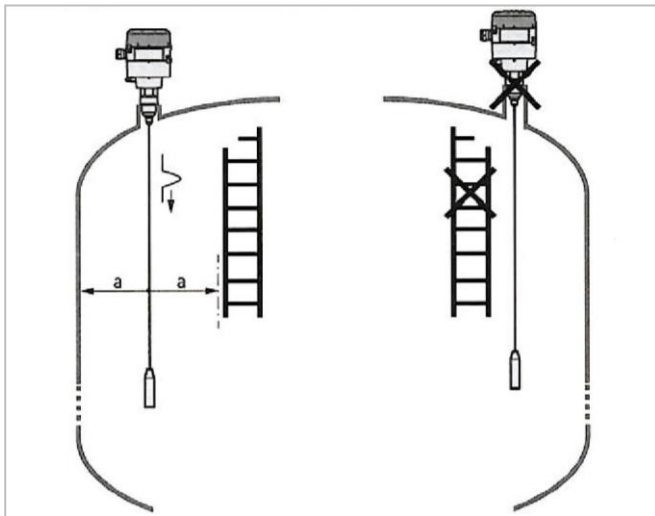


Figure 3-5: Cable probe: minimum distance from metallic walls and other metal objects $a \geq 12''$ (300 mm)

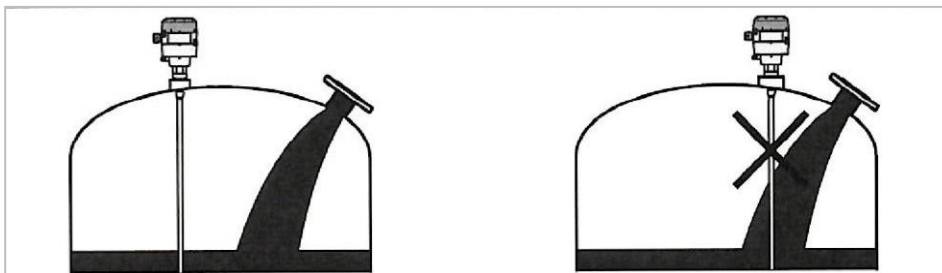


Figure 3-6: Do not install the probe near to a product inlet

3.1.5 Installation in standpipes (stilling wells and bypass chambers)

Use a standpipe if there are too many other objects in the tank or the liquid is turbulent

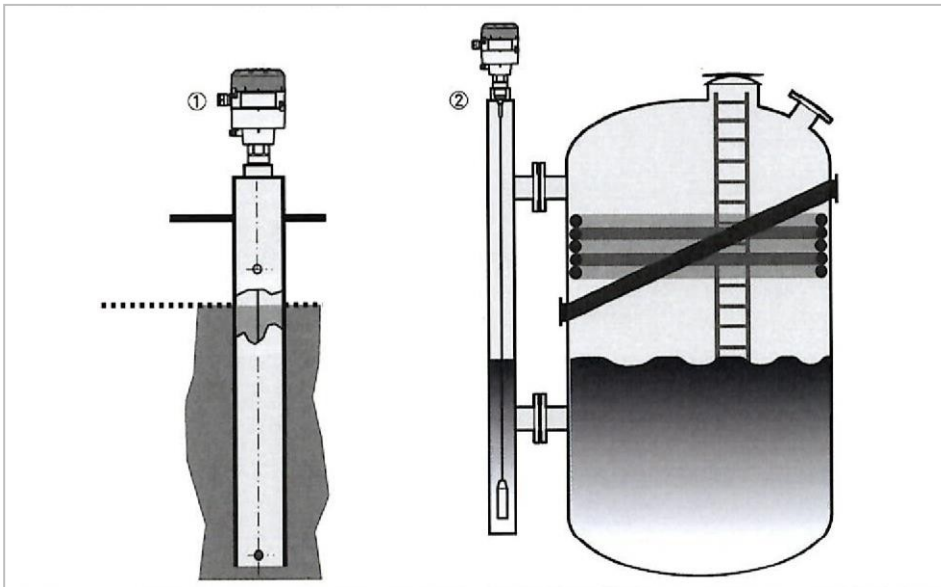


Figure 3-7: Installation recommendations for standpipes (stilling wells and bypass chambers)

- 1 Stilling well
- 2 Bypass chambers



INFORMATION

Stilling wells are not necessary for devices with coaxial probes. But if there is a sudden change in diameter in the stilling well, we recommend that you install a device with a coaxial probe.



CAUTION

Installation requirements

- The standpipe must be made of metal.
 - The standpipe must be straight. There must be no changes in diameter from the device process connection to the bottom of the standpipe.
 - The standpipe must be vertical.
 - Recommended surface roughness: $<\pm 0.1 \text{ mm} / <\pm 0.004''$.
-

Stilling wells

Installation in tanks that contain one liquid

- Make sure that the stilling well has a vent above the maximum level.
- If the probe has a counterweight, make sure that there is enough space between the counterweight and the wall of the stilling well.

Bypass chambers

Installation next to tanks that contain one liquid

- The bypass chamber must have a process connection that is above the maximum level of liquid.
- The bypass chamber must have a process connection that is below the lowest measured level of liquid.

3.1.6 Horizontal cylindrical tanks

The installation requirements and procedures for vertical tanks are also applicable to horizontal cylindrical tanks.



CAUTION

Calculate volume and mass values carefully for the strapping table. Volume does not increase in the same proportion as level

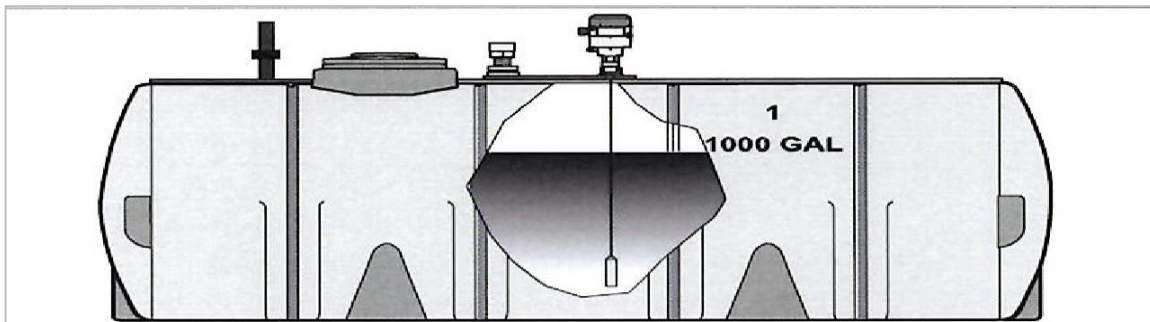


Figure 3-8: How to install the device in a horizontal cylindrical tank

3.2 How to install a device with a threaded connection

Equipment needed:

- 1 1/4" (34 mm) wrench (not supplied)

3.3 Recommendations for pits and tanks made of non-conductive materials

If you have a device with a coaxial probe, you can ignore these instructions

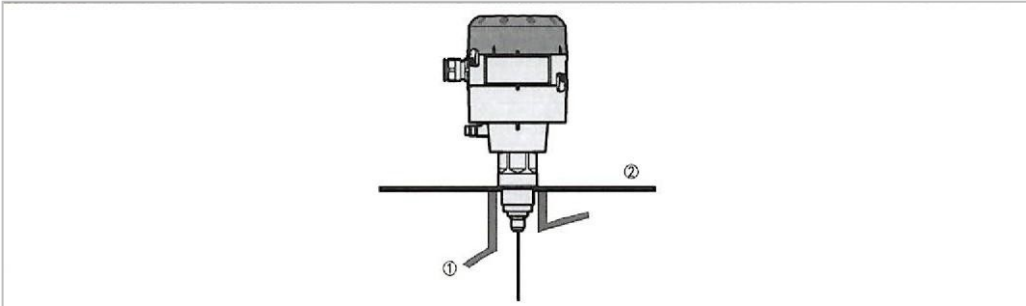


Figure 3-25: Installation in a non-metallic tank or pit with a thread connection
1 Non-metallic (plastic...) tank or pit
2 Metal sheet, $\varnothing \geq 8''$ (200 mm)



CAUTION

When the device is installed, make sure that the tank roof has no deformation

3.4 Recommendations for pits and tanks made of non-conductive materials

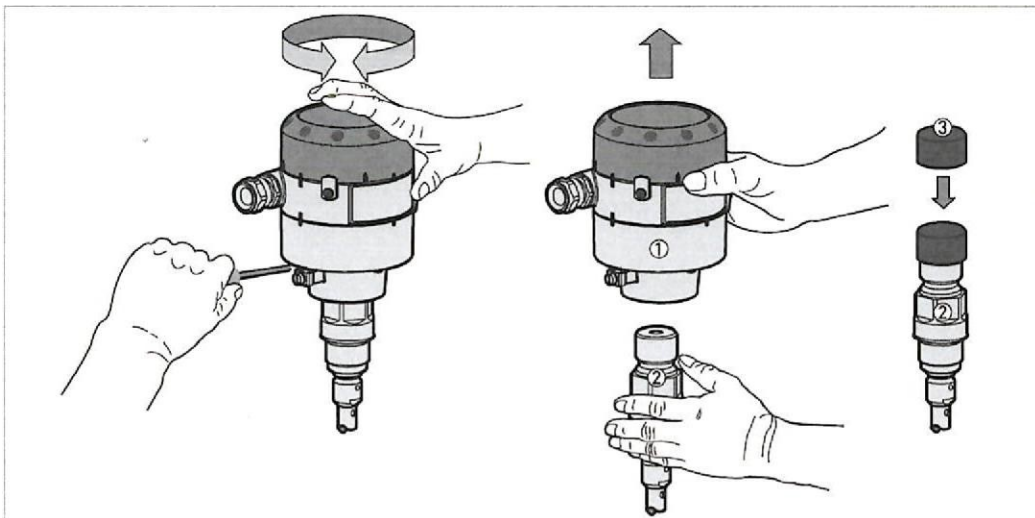


Figure 3-26: How to turn or remove the signal converter
1 Signal converter
2 Process connection and probe assembly
3 Cover



CAUTION

When the housing is attached to the process connection assembly, make sure that the lock screw is tight

How to remove the signal converter

- Loosen the lock screw with a 1/4" (5mm) wrench.
- Remove the signal converter from the probe assembly.
- Put the cover 3 on the probe assembly.

4 Electrical Connections

4.1 Safety instructions



DANGER!

All work on the electrical connections may only be carried out with the power disconnected.
Take note of the voltage data on the nameplate!



DANGER!

Observe the national regulations for electrical installations!



WARNING!

Observe without fail the local occupational health and safety regulations. Any work done on the electrical components of the measuring device may only be carried out by properly trained specialists.



INFORMATION

Look at the device nameplate to ensure that the device is delivered according to your order.
Check for the correct supply voltage printed on the nameplate.

4.2 Electrical installation: 2-wire, loop-powered



DANGER!

Solid applications - risk of electrostatic discharge (ESD): Ground the tank, the product and the probe (if attached). The device is resistant to electrostatic discharges of a maximum of 30 kV, but it is the responsibility of the fitter and the user to prevent ESD.

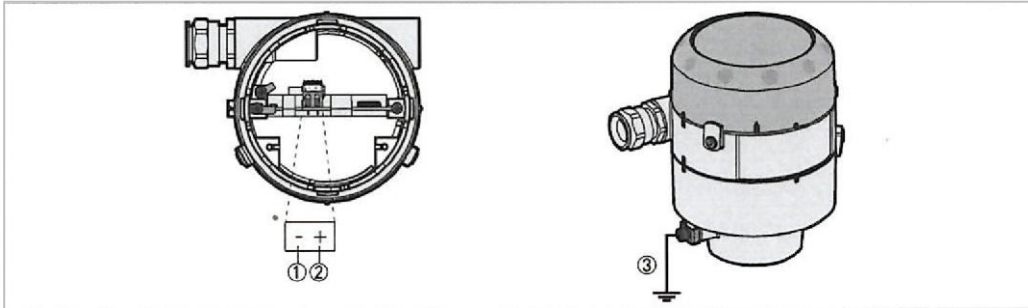


Figure 4-1: Terminals for electrical installation

- 1 Current output -
- 2 Current output +
- 3 Grounding terminals between the process connection and the converter

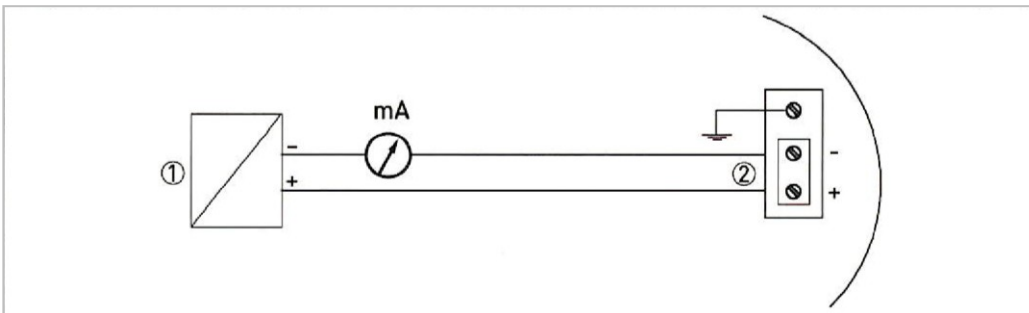


Figure 4-2: Electrical schematic

- 1 Power supply
- 2 Input: 14-30 VDC



CAUTION

Make sure that the polarity of the power supply is correct.

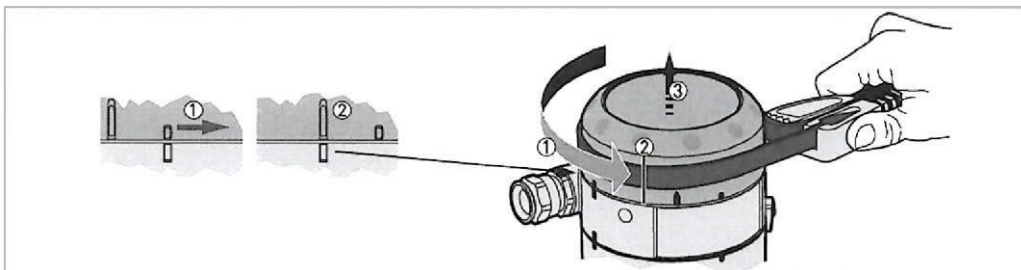


Figure 4-3: How to open the terminal compartment cover

- Turn the cover counter clockwise with a strap wrench.
- Remove the cover

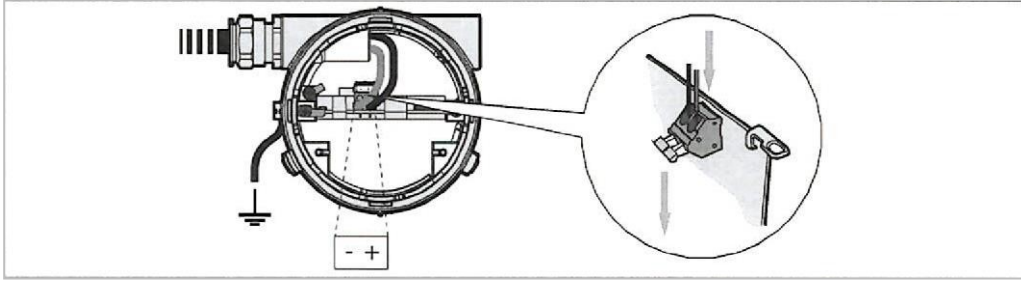


Figure 4-4: How to connect the device to the electrical circuit



WARNING!

If you do not push the wires away from the cover thread when you attach display unit to the signal converter, there is a risk of damage to the wires.

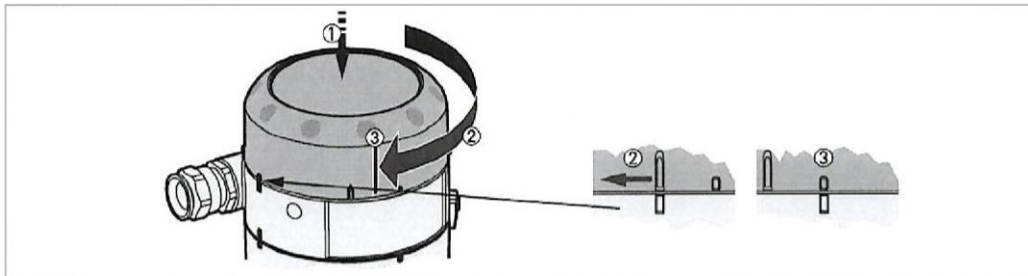


Figure 4-5: How to close the terminal compartment cover

- Attach the cover.
- Turn the cover clockwise.

4.3 Protection category



INFORMATION

The device fulfils all requirements per protection category IP 66/67 (equivalent to NEMA type 4X (housing) and type 6P (probe)).



DANGER!

Make sure that the cable gland is watertight

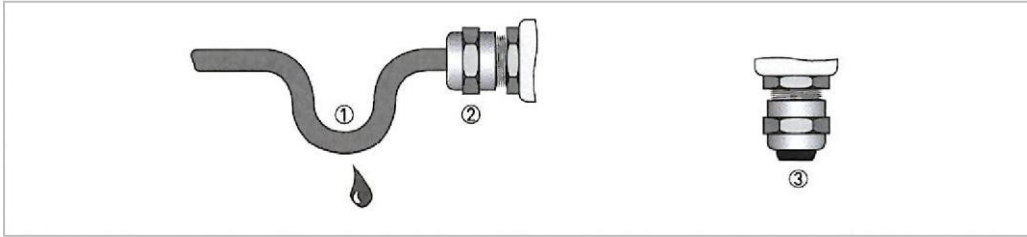


Figure 4-6: How to make the installation agree with protection category IP 67

- Make sure that the gaskets are not damaged.
- Make sure that the electrical cables are not damaged.
- Make sure that the electrical cables agree with the national electrical code.
- The cables are in a loop in front of the device 1 so water does not go into the housing.
- Tighten the cable feedthroughs 2.
- Close unused cable feedthroughs with dummy plugs 3.

4.4 How to attach the optional display unit to the device

If the device was supplied with a blind cover, you can attach a display unit or configuration tool to do the quick setup procedure. Use the procedure that follows:

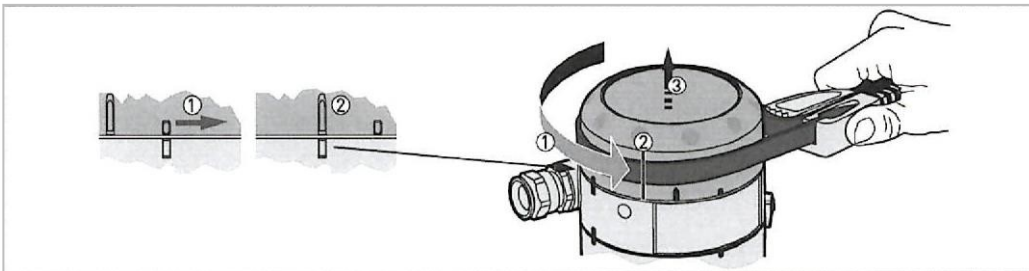


Figure 4-7: How to open the terminal compartment cover

- Turn the cover counter clockwise with a strap wrench.
- Remove the cover.

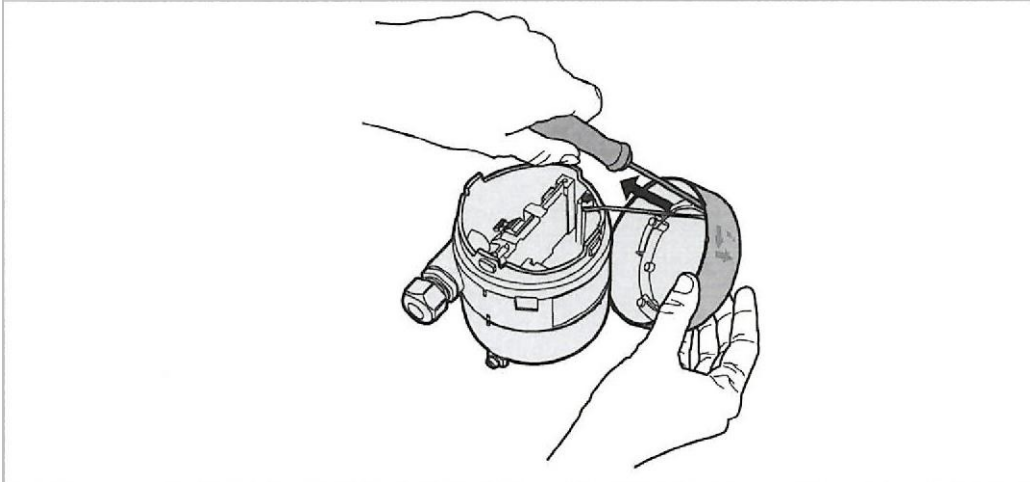


Figure 4-8: Remove the safety cord from the blind cover

- Remove the screw that attaches the safety cord to the blind cover. Use a TORX T10 wrench.
- Remove the safety cord from the blind cover.

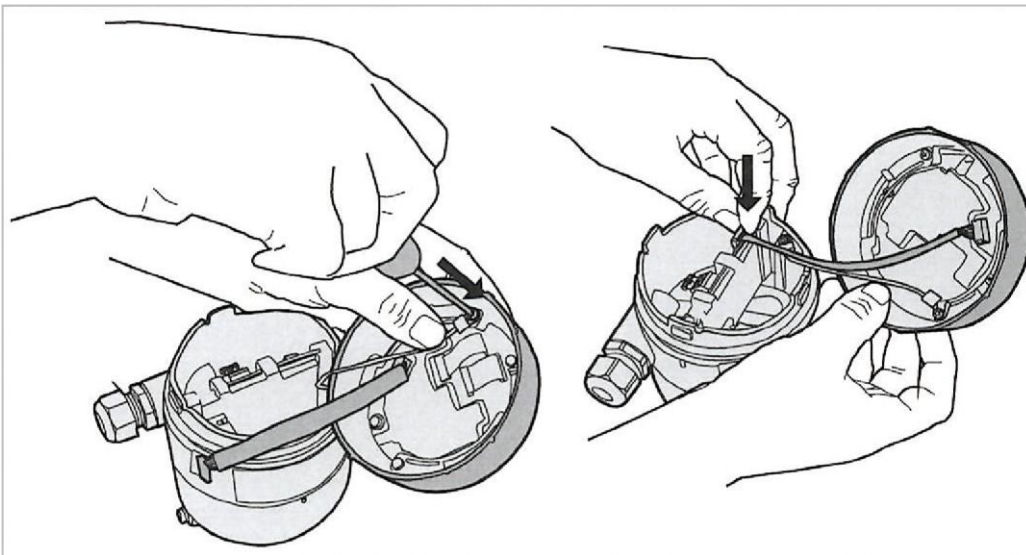


Figure 4-9: Attach the display unit to the electronics block

- Attach the safety cord to the display unit with a TORX T10 wrench.
- Attach the ribbon cable to the electronics block.



WARNING!

If you do not push the wires away from the cover thread when you attach display unit to the signal converter, there is a risk of damage to the wires.

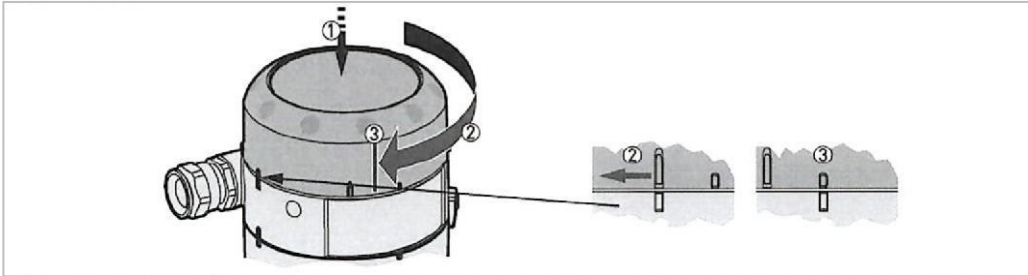


Figure 4-10: How to close the terminal compartment cover

- Attach the cover.
- Turn the cover clockwise.

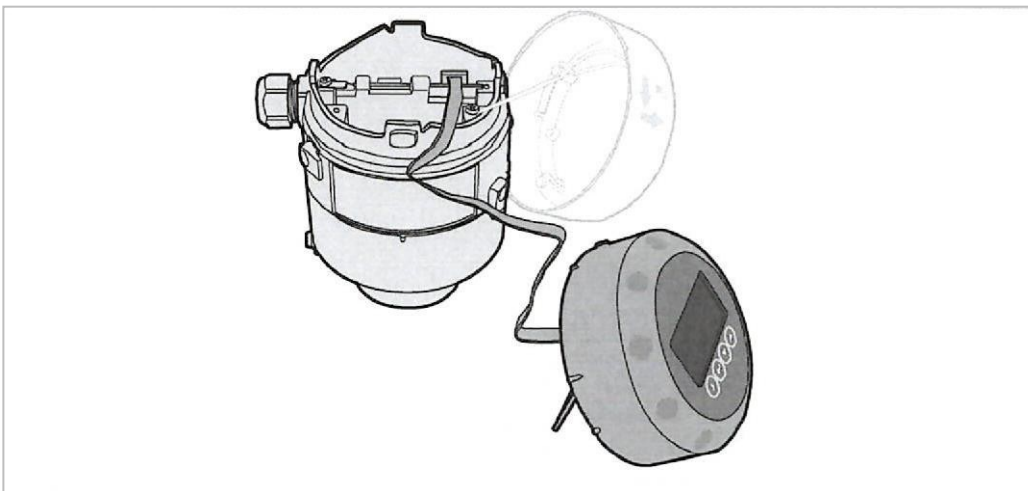


Figure 4-11: Attach the HMI service tool to the electronics block

- Remove the blind cover.
- Attach the ribbon cable of the configuration tool to the electronics block.
- If necessary, extend the leg of the HMI service tool.

5 Start-Up

5.1 How to start the device

5.1.1 Installation in standpipes (stilling wells and bypass chambers)

If the device was supplied with a blind cover, you can attach a display unit or configuration tool to do the quick setup procedure. Use the procedure that follows:

- Are all the wetted components (probe, process connection and gaskets) resistant to the
- product in the tank?
- Does the information on the signal converter nameplate agree with the operating data?
- Did you correctly install the device on the tank?
- Do the electrical connections agree with the national electrical codes?

5.1.2 How to start the device

- Connect the converter to the power supply.
- Energize the converter
 - Devices with the LCD display option only: After 10 seconds the screen will display "Starting up". After 20 seconds the screen will display the software version numbers. After 30 seconds the default screen will appear.
- The device will display readings.
 - Measurements agree with specifications given in the customer order.



CAUTION

If the manufacturer received data about the installation, the device will display readings correctly. If not, go to sub-menu 1.0.0 QUICK SETUP in the configuration menu to select the correct settings

5.2 Digital display screen (option)

Display screen

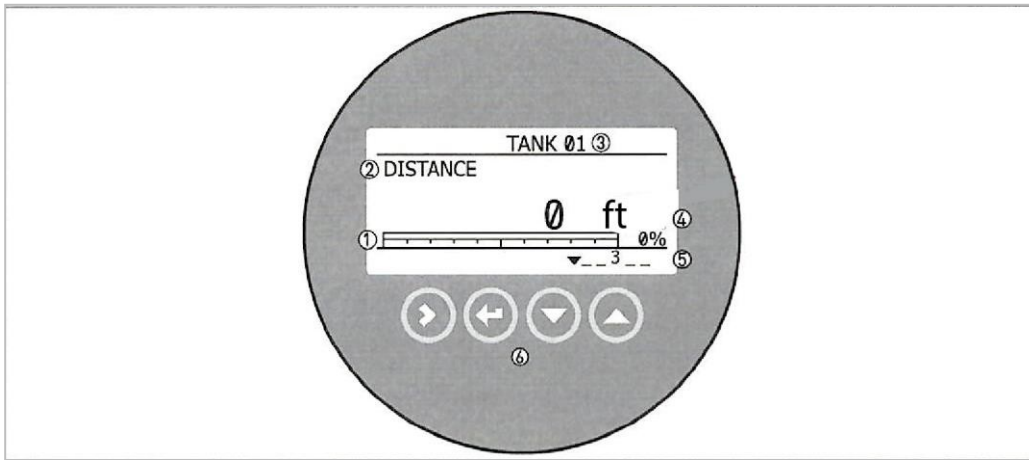


Figure 5-1: Default screen

- 1 Current output percentage (bar graph and text - only shown if the output function is the same as the measurement name on the screen in normal mode)
- 2 Measurement name (in this example, distance)
- 3 Device tag name
- 4 Measurement value and units
- 5 Device status (markers)
- 6 Keypad buttons

Keypad functions

Button	Function
	Normal mode: Enter configuration mode Configuration mode: Move cursor to the right
	Normal mode: Change the measurement units (m, cm, in ft) Configuration mode: Exit
	Normal mode: Change the measurement name (distance, level, output (%), output (mA)) Configuration mode: Decrease value or change parameter
	Normal mode: Change the measurement name (distance, level, output (%), output (mA)) Configuration mode: Increase value or change parameter

6 Operation

6.1 User modes

Normal mode	This mode displays measurement data. For more data, refer to Normal mode on page 37.
Configuration mode	Use this mode to view parameters, commission the device, create tables for volume or mass measurement, change critical values to measure in difficult process conditions. To get access to supervisor menu, refer to Protection of the device settings on page 37. For more data on menu items, refer to Function description on page 24.

6.2 Normal modes

This mode shows measurement data. Use the table that follows:

- for the selection of the measurement name (level, distance, percentage, conversion),
- for the selection of the measurement units and
- to get access to the configuration mode (INFORMATION and SUPERVISOR menus)

Some data will only be available if the device has the correct parameters entered in the configuration mode.

6.3 Configuration modes

6.3.1 How to start the device

Change the settings of your device in Configuration mode. Data about the menus is given on page 38. You can:

- Use the 1.0.0 QUICK SETUP menu to commission the device. For more data about the Quick Setup menu, refer to Table 1. Quick Setup.
- Use the 2.0.0 SUPERVISOR menu to read settings, device software versions and error records, run diagnostic tests, set up a conversion table for volume or mass measurement, change critical parameters for difficult process conditions, reset the device and change basic parameters (tank height etc.), output settings etc. For more data about the Supervisor menu, refer to Table 2. Supervisor.



INFORMATION

It is not possible to enter the 3.0.0 SERVICE and 4.0.0 MASTER menus. These menus are for factory calibration and qualified service personnel only.

6.3.2 Menu overview

1.0.0 Quick Setup

2.0.0 Quick Setup

2.1.0	Information	Menus for supervisors. Password locked. For more data about the supervisor menu password, refer to Function description on page 24, menu item 2.7.5.
2.2.0	Tests	
2.3.0	Basic Parameters	
2.4.0	Output I	
2.5.0	Application	
2.6.0	Communication	
2.7.0	Display	
2.8.0	Conversion Table	
2.9.0	Config/Reset	
2.10.0	History	

3.0.0 Service

-	-	Menus for factory calibration and qualified service personnel only. Password locked.
---	---	--

4.0.0 Master

-	-	Menus for factory calibration and qualified service personnel only. Password locked.
---	---	--

6.3.1 Function description

1. Quick Setup

Menu No.	Step	Function	Single cable, Coaxial	Selection list	Default
1.0.0		Quick Setup	This menu gives a quick set-up procedure applicable to most applications. The user can give the probe type, probe length, output function, 4 mA setting and 20 mA setting. The tank height is set automatically to the same value as the		

			probe length at the end of the procedure.		
	1	Setting summary		Device settings used at this time. Read only.	
	2	Quick Setup?	This tells the device whether or not to continue to the Quick Setup procedure	Yes [>], No [▼]	
	3	Probe Type	Select from the available probe types.	Single cable, Coaxial	
	4	Probe Length	The probe length includes the length of the counterweight (single cable probes) or the length of the probe end cap (coaxial probes).	min: 2.3.4 BLOC. DIST. +3.1.1 COUNTERWEIGHT max.: 20 m / 65.6 ft	
	5	Output Function	The output functions. Select an output function to scale the current values in relation to a given point (usually the device process connection or the tank bottom). The output current value is shown on a bar graph in normal mode if the measurement name is the same as the output function.	Level, Distance	Level
	6	Scale 4mA	This gives a measurement value to 4 mA.	min.-max: 2	For level: Single cable= 8" (200 mm) Coaxial= 0" (0 mm)

	7	Scale 20mA	This gives a measurement value to 20 mA.	min.-max: 2	Single cable= Probe length - 18" (450 mm) Coaxial= Probe length - 10"(250 mm)
	8	Quick setup completed	An interval of 8 seconds is necessary to use the new settings.		
	9	Changes must be saved or cancelled before the device goes back to normal mode		STORE NO, STORE YES	STORE NO

Units and range depend on the output function and length unit selected

2. Supervisor menu

Menu No.	Function	Single cable, Coaxial	Selection list	Default
2.0.0	SUPERVISOR	The supervisor can use this menu to change parameters. This menu has a password protection. For more data, refer to menu item 2.7.5 PASSWORD in this table		
2.1.0	INFORMATION	A summary of information relating to the device.		
2.1.1	SERIAL NUM.	The device serial number	Read only.	
2.1.2	CONV.FIRM.VER	The converter firmware	Read only	

		version.		
2.1.3	SEN.FIRM.VER	The sensor firmware version.	Read only.	
2.1.4	HMI.FIRM.VER	The HMI (device display screen) firmware version.	Read only.	
2.2.0	TESTS	The device serial number.		
2.2.1	SET OUTPUT	This sets the analog output to a test value [mA] selected from a list. The output will change to the selected value after 5 seconds, independent of the measured value.	3.5, 4, 6, 8, 10, 12, 14, 16, 18, 20 or 22 mA	
2.3.0	BASIC PARAM.	The basic parameters for configuration of the device.		
2.3.1	TANK HEIGHT	The distance from the thread stop down to the tank bottom.		Probe length
2.3.2	TIME CONST.	Increasing the time constant will smoothen the integrated readings, decreasing will roughen the readings.	min-max: 0 to 100 seconds	5 seconds
2.3.3	PROBE LENGTH	Probe length is the distance from the thread stop of the device down to the bottom end of the probe (including counterweight for cable versions). If probe length has been modified, enter the new value here. For more data, refer to Quick Setup on page 44.	min: 2.3.4 BLOC. DIST. + 3.1.1 COUNTERWEIGHT max.: 20 m / 60 ft	
2.3.4	BLOC. DIST.	Blocking distance. The non-measuring range at the top of the probe. It depends on the probe	min: 0 m / 0 ft max: 2.3.3 PROBE LENGTH	2" (50 mm)

		type and the installation. Make sure that the product does not go above the blocking distance. There is a risk that the product will overflow and/or cover the device.		
2.3.5	TAG NAME	The device has a code (tag name) to identify it.		
2.4.0	OUTPUT I	Use this sub-menu to give measurement values to the current output.		
2.4.1	OUTPUT FUNC.	The output functions. Select an output function to scale the current values in relation to a given point (usually the device process connection or the tank bottom). The output current value is shown on a bar graph in normal mode if the measurement name is the same as the output function. Conversion parameters are shown if there is volume or mass data in 2.8.1 INPUT TABLE	Distance, Level, Conversion, Ullage Conversion	Level
2.4.2	RANGE I	This parameter sets the range of the current output with (3.8-20.5 mA) or without (4-20 mA) over-run values. It also tells the device what to do if an error occurs. For example, the device will change to an error value of 22 mA if you set RANGE I to 420/22E. If	4-20, 4-20/22E, 4-20/3.6E, 3.8-20.5/22E, 3.8-20.5/3.6E	4-20/3.6E

		you set RANGE I to 4-20 and the device senses a measurement error, the value will stop at the last correct measurement.		
2.4.3	SCALE 4mA	This gives a measurement value to 4 mA.	min.-max: 2	
2.4.4	SCALE 20mA	This gives a measurement value to 20 mA.	min.-max: 2	
2.4.5	ERROR DELAY	The time after which the current output changes to an error value. The error values shows that there is a measurement error. MN=minutes and S=seconds.	0 S, 10 S, 20 S, 30 S, 1 MN, 2 MN, 5 MN, 15 MN	10 S
2.5.0	APPLICATION	Use this sub-menu to configure the device when there are difficult process conditions. Only approved personnel can change these parameters.		
2.5.1	TRACING VEL.	Tracing velocity. This value must agree with the maximum rate of change of the level of the liquid or solid contents in the tank.	min-max: 0.1to1000 m/min	10.0 m/min
2.5.2	AUTO Er CALC	Automatic dielectric constant (ϵ_r) calculation. The device automatically calculates the ϵ_r value of the liquid or solid contents in the tank.	YES, NO	NO
2.5.3	GAS EPS. R	Dielectric constant (Er) of the gas in the tank. A major parameter for TDR level measurement	min-max: 0.8...115.00	1

		devices. If the dielectric constant of the gas is very different from the default value (air), set GAS EPSR to the Er value of the gas.		
2.5.4	EPS.R CALCUL.	The calculated Er value for the liquid or solid contents in the tank. The result of the calculation in 2.5.2 AUTO EPSIR. This menu item will not be available if 2.5.2 AUTO EPSIR is not used.	Read only.	
2.5.5	PROD. EPS. R	Dielectric constant (Er) of the liquid or solid contents in the tank. If possible, type in the exact value of the product's dielectric constant. If you do not know the exact value, use 2.5.2 AUTO Er CALC. A new product Er that is too low will mean that level will read higher than its true value.	min-max: 1.0 to 115.00	
2.5.6	MEAS. AMP.	Measured pulse amplitude. This is the amplitude of the signal (after reflection on the surface of the tank contents) compared with the amplitude of the reference pulse. This value is measured in thousandths (1...1000) of the reference pulse amplitude (value= 1000). Although this data refers to any point along the device measuring range, the value shows the attenuation of the		

		signal amplitude at a distance of 1 m / 3.3 ft from the thread stop. This value helps you to set the measurement threshold in menu item 2.5.7 MEAS. THRESH.		
2.5.7	MEAS. THRESH	Measurement threshold. If it is difficult to identify the level signal (for example: too many parasite signals), you can increase the threshold. This value is measured in thousandths (1...1000). A threshold of 100 is equivalent to 10% of the amplitude of the reference pulse at a distance of 1 m / 3.3 ft from the thread stop. For more data, refer to thresholds and parasitic signals on page 51.	min-max: 0 to 1000	
2.5.8	PROBE END AMP	This menu item is not available.		
2.5.9	PROBE END TH.	This menu item is not available.	min-max: 0 to 1000	200
2.6.0	SERIAL I/O	Menu items for communication in field networks. Do not use this sub-menu.		
2.6.1	HART ADDRESS	Do not use this menu item. This menu item is for approved personnel only.		
2.7.0	DISPLAY	This sub-menu includes all the display parameters and password security parameters for the supervisor menu.		

2.7.1	LANGUAGE	Data can be shown in any of the languages stored in the device.	9 languages are available: 1 English, French German and Italian; 2 English, French, Spanish and Portuguese; 3 English, Chinese (Mandarin), Japanese and Russian	If the device has the LCD displays option, depends on the customer requirement
2.7.2	LENGTH UNIT	The length unit shown in normal mode.	m, cm, mm, in (inches), ft (feet)	fr
2.7.3	CONV UNIT	Conversion unit. The length, volume or mass conversion unit for the conversion table and shown in normal mode.	kg, t, Ston, Lton, m, cm, mm, in, ft, m3, L, gal, ImpGal, ft3, bbl	gal
2.7.4	PSWD YES/NO	If it is necessary to protect your settings in the supervisor menu with a password, set this menu item to YES.	YES, NO	YES
2.7.5	PASSWORD	This changes the password for the supervisor menu. Press the buttons up to 6 times in any order. This will be the new password. To confirm the change, enter the new password a second time.		[>], [^], [??], [??],[>] and [^]
2.7.6	CONTRAST	The contrast control for the display screen. You can select a shade of grey between light grey (level 20) and black (level 54).	min.-max: 20to54	36
2.8.0	CONV. TABLE	Conversion table. Use these menu items to set up or erase conversion tables to show length, volume or mass		

		measurement values in normal mode.		
2.8.1	INPUT TABLE	The device uses the conversion table to convert measurements to volume and mass readings. The readings are shown in normal mode. Give the number of entries on the table. Enter the height and the related volume / mass values.	max. 30 entries (distance / volume or mass)	0 entries
2.8.2	DELETE TABLE	This menu item erases the data in the conversion table.	YES, NO	NO
2.9.0	CONFIG/RESET	Use this sub-menu to save settings, start the device again or go back to the settings before the last save.		
2.9.1	SAVE	This menu item is not available.	YES, NO	NO
2.9.2	RECALL	This menu item is not available.	YES, NO	NO
2.9.3	RESTART	This menu item starts the device again.	YES, NO	NO
2.10.0	HISTORY	This sub-menu shows device performance data (error log etc.).		
2.10.1	ERROR RECORD	A log of device errors. Press [>] to read the errors. Press [▼] or [▲] to scroll up or down the list. Each error is identified by a code. Press [>] again to show the number of incidents and the time since the last incident in days, hours, minutes and seconds. For more data on errors, refer to Status	Read only.	

		and error messages on page 53.		
--	--	--------------------------------	--	--

2 Units and range depend on the output function and length unit selected

3. Service Menu

Menu No.	Function	Single cable, Coaxial	Selection list	Default
3.0.0	SERVICE	Advanced settings. The settings in this menu are protected with a password. Only approved personnel can change the parameters in this menu. For more data, contact your local sales office.		

4. Master Menu

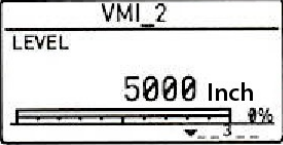
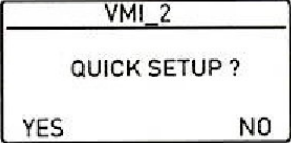
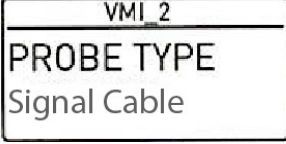
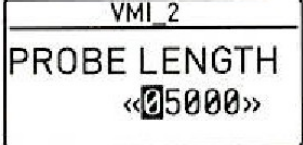
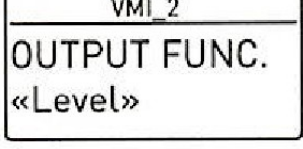
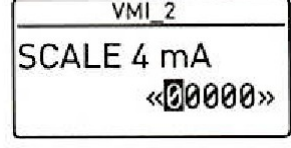
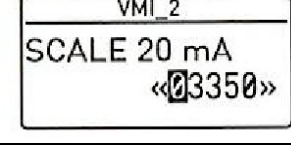
Menu No.	Function	Single cable, Coaxial	Selection list	Default
4.0.0	MASTER	Factory settings. The settings in this menu are protected with a password. Only approved personnel can change the parameters in this menu. For more data, contact your local sales office.		

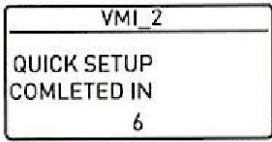
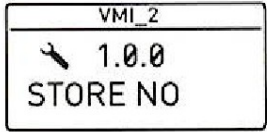
6.4 Further information on device configuration

6.4.1 Quick Setup

Change Use this procedure to change the probe length and give the top and bottom measuring limits. « xx » in the illustrations shows that you can change the value or the parameter. Push the keypad buttons in the correct sequence:

Procedure

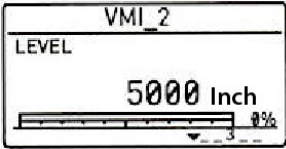
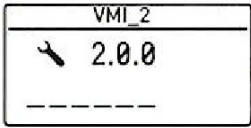
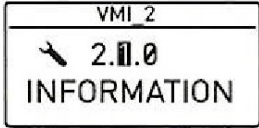
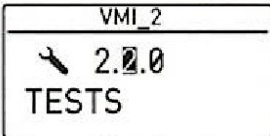
Screen	Steps	Description
	<ul style="list-style-type: none"> • [>] 3 times. 	<p>Default screen. Enter configuration mode.</p>
	<ul style="list-style-type: none"> • [>] YES - to start the quick set-up procedure, or [▲] NO - to go back to the menu. 	
	<ul style="list-style-type: none"> • [▼] or [▲] for the selection of the probe type (COAXIAL or SINGLE CABLE). • [^] to confirm. 	
	<ul style="list-style-type: none"> • [>] to change the probe length. • [>] to change the position of the cursor. • [▼] to decrease the value or [▲] to increase the value. • [^] to confirm. 	<p>Change this value if you have decreased the length of the probe. The probe length for the cable probe options includes the length of the counterweight.</p>
	<ul style="list-style-type: none"> • [▼] or [▲] for the selection of the measurement name (Distance, Level, Conversion or Ullage Conv.). • [^] to confirm 	<p>If "Level" or "Conversion" is set, the 0% limit for the 4...20 mA scale is at the bottom of the tank. If "Distance" or "Ullage Conv." is set, the 0% limit is at the top of the tank.</p>
	<ul style="list-style-type: none"> • [>] to change Scale 4 mA. • [>] to change the position of the cursor. • [▼] to decrease the value or [▲] to increase the value. • [^] to confirm. 	<p>Use this step to give the 4 mA output setting (0% limit) in the tank. Distance is measured from the thread stop of the process connection.</p>
	<ul style="list-style-type: none"> • [>] to change Scale 20 mA. • [>] to change the position of the cursor. 	<p>Use this step to give the 20-mA output setting (100% limit) in the tank. Distance</p>

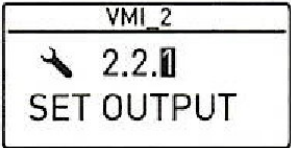
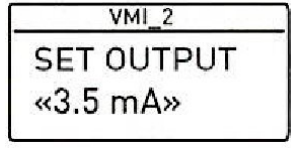
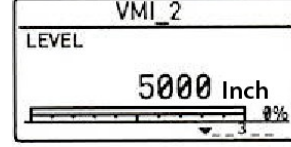
	<ul style="list-style-type: none"> • [▼] to decrease the value or [▲] to increase the value. • [^] to confirm 	is measured from the thread stop of the process connection.
		After 8 seconds the Quick Setup is completed.
	<ul style="list-style-type: none"> • [^] to confirm. • [▼] or [▲] for the selection of the save option (STORE NO or STORE YES). • [^] to confirm. 	Set to STORE YES to save and use the data. Set to STORE NO to cancel the changes to the device settings.

6.4.2 Test

Use this procedure to test the loop current. « xx » in the illustrations shows that you can change the value or the parameter. Push the keypad buttons in the correct sequence:

Procedure

Screen	Steps	Description
	<ul style="list-style-type: none"> • [>] 3 times. 	Default screen.
	<ul style="list-style-type: none"> • [>], [▲] and [>]. 	
	<ul style="list-style-type: none"> • Enter the password: [>], [Enter], [▼], [▲] and [>]. • [^] to confirm. 	
	<ul style="list-style-type: none"> • [▲]. 	

	<ul style="list-style-type: none"> • [>]. 	
	<ul style="list-style-type: none"> • [>]. • [▼] to decrease the value or [▲] to increase the value. • [^] to confirm. 	<p>This step sets the loop current value. Make a selection from 3.5, 4, 6, 8, 10, 12, 14, 16, 18, 20 or 22 mA.</p>
	<ul style="list-style-type: none"> • [^] 3 times to go back to the default screen. 	<p>The loop current goes back to initial value. Default screen.</p>

6.4.3 Protection of the device settings

The menu item PASSWORD (2.7.5) lets you change the supervisor menu password

How to change the supervisor menu password

- After you enter the supervisor menu, press 6 x [▲], [>] and 4 x [▼] to go to the menu item PASSWORD (2.7.5).
- Enter the new 6-character password (Press the 4 buttons in any sequence).
- Enter the new 6-character password again.
 - If the second entry is the same as the first, the device will go back to the sub-menu. If the second entry is not the same as the first, the device will not go back to the sub menu. Press ^ to start the password sequence again and enter the new 6-character password 2 times.
- Press [^] (Esc) to go back to the "STORE" screen.
- Press [▲] or [▼] to set the screen to STORE YES and press [^].
 - The device will save the new password and go back to normal mode.



INFORMATION

Make a note of the password and keep it in a safe place. If you lose the password, please contact your supplier.

How to set the supervisor password to "on" or "off"

The supervisor password is set to "on" by default. If it is necessary to set this function to "off", refer to Function description on page 38, Table B. Supervisor menu, menu item PSWD YES/NO (2.7.4).

6.4.4 Distance measurement

The device current output agrees with the distance measurement when the output is

set to "Distance". Menu items used for distance measurement are:

- Output Function (2.4.1 OUTPUT)
- Tank Height (2.3.1 TANK HEIGHT)
- Blocking Distance (2.3.4 BLOC. DIST.)

Use the thread stop as the reference point for the 4 and 20 mA current output settings. The 4 and 20 mA current output settings are the minimum and maximum points of the measurement scale.

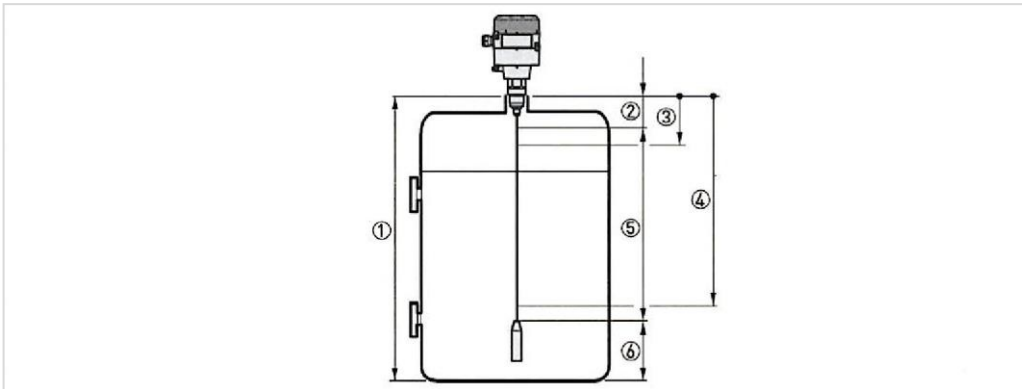


Figure 6-1: Distance measurement

- 1 Tank Height (2.3.1 TANK HEIGHT)
- 2 Blocking Distance (2.3.4 BLOC. DIST.)
- 3 4 mA Setting (2.4.3 SCALE 4mA)
- 4 20 mA Setting (2.4.4 SCALE 20mA)
- 5 Maximum effective measuring range
- 6 Non-measurement zone

For more data about the menu items, refer to Function description on page 24.

6.4.5 Level measurement

The device current output agrees with the level measurement when the output is set to "Level". Menu items related to level measurement are:

- Output Function (2.4.1 OUTPUT)
- Tank Height (2.3.1 TANK HEIGHT)
- Blocking Distance (2.3.4 BLOC. DIST.)

Use the tank bottom as the reference point for the 4 and 20 mA current output settings. The 4 and 20 mA current output settings are the minimum and maximum points of the measurement scale.

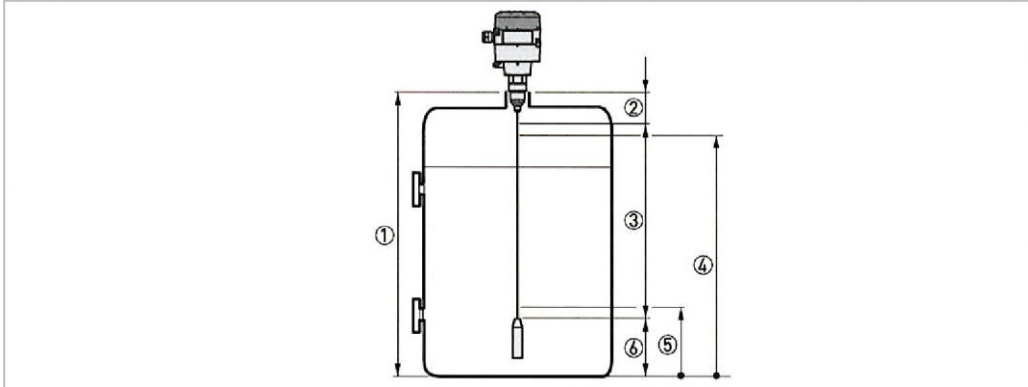


Figure 6-2: Level measurement

- 1 Tank Height (2.3.1 TANK HEIGHT)
- 2 Blocking Distance (2.3.4 BLOC. DIST.)
- 3 Maximum effective measuring range
- 4 20 mA Setting (2.4.4 SCALE 20mA)
- 5 4 mA Setting (2.4.3 SCALE 4mA)
- 6 Non-measurement zone

For more data about the menu items, refer to Function description on page 24.

6.4.6 How to configure the device to measure volume or mass

The device can be configured to measure volume or mass. You can set up a strapping table in the conversion table (2.8.0 CONV. TAB) sub-menu.

How to prepare a strapping table.

- Enter the supervisor menu.
- Press 6 × [▲], [>] and 2 × [] to go to 2.7.2 LENGTH UNIT.
- Press [▲] and [▼] to find the length unit that you will use in the table.
- Press [^] to go to the sub-menu level.
- Press [▲] to go to 2.7.3 CONV UNIT (conversion unit)
- Press [▼] and [▲] to find the conversion unit that you will use in the table.

- Press [^] to go to the sub-menu level and then > to go to the menu item 2.8.1 INPUT TAB
- Press [>] to make the strapping table. Enter the number of data pairs in the table.
- Enter the length value and press [^].
- Enter the conversion value and press [^].
- Repeat the last 2 steps to complete the table.

The device creates a table of up to 30 pairs of data (level - volume or level - mass). The reference point for the table is the bottom of the tank (as given in menu item 2.3.1 TANK HEIGHT).

The device will give more accurate volume readings if you give more conversion data in these areas:

- Surfaces with curves.
- Sudden changes in the cross section.

Refer also to the illustration that follows:

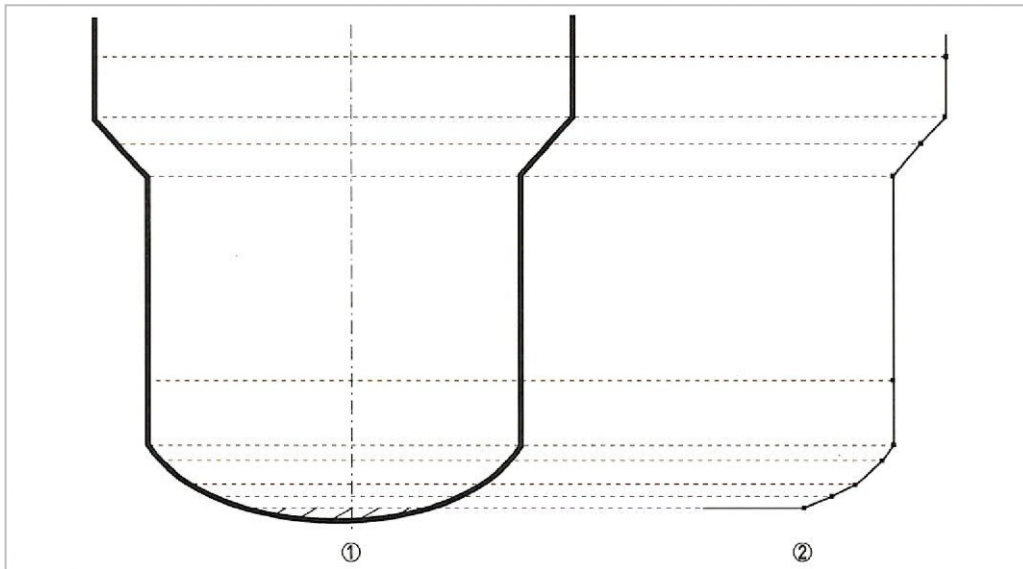


Figure 6-3: A plot of points for a volume or mass table
1 with reference points
2 model with plotted points

How to prepare a strapping table.

- Enter the supervisor menu.
- Press 6 × [▲], [>] and 2 × [▼] to go to 2.7.2 LENGTH UNIT.
- Press [▲] and [▼] to find the length unit that you will use in the table.
- Press [^] to go to the sub-menu level.
- Press [▲] to go to 2.7.3 CONV UNIT (conversion unit)
- Press [▼] and [▲] to find the conversion unit that you will use in the table.

- Press [^] to go to the sub-menu level and then and > to go to the menu item 2.8.1 INPUT TAB
- Press [>] to make the strapping table. Enter the number of data pairs in the table.
- Enter the length value and press [^].
- Enter the conversion value and press [^].
- Repeat the last 2 steps to complete the table.

6.4.7 How to configure the device to measure volume or mass

The device can be configured to measure volume or mass. You can set up a strapping table in the conversion table (2.8.0 CONV. TAB) sub-menu.

General notes

The low-power electromagnetic signal from the device goes down the probe. The surface of the process and objects in the tank makes reflections. These reflections go back up the probe to the signal converter. The signal converter changes the reflections into voltage amplitudes. Reflections from objects in the tanks are interference signals (parasitic signals).

How thresholds work

Thresholds let the device ignore reflections with small amplitudes and monitor changes in level.

2.5.7 MEAS. THRESH. (measurement threshold) sets the threshold for the signal after reflection on the surface of the tank contents. This threshold is measured in thousandths (1...1000) of the reference pulse amplitude (value= 1000). A threshold of 100 is equivalent to 10% of the amplitude of the reference pulse at 1 m / 3.3 ft from the thread stop.

The user can do a check of the signal amplitude after reflection on the surface of the tank contents. 2.5.6 MEAS. AMP. (measured pulse amplitude) is the signal amplitude (after reflection on the surface of the tank contents) compared with the reference pulse amplitude. This value is measured in thousandths (1...1000) of the reference pulse amplitude (value= 1000). Although this data refers to any point along the device measuring range, the value shows the attenuation of the signal amplitude at 1 m / 3.3 ft from the thread stop. This value helps you to set the measurement threshold in menu item 2.5.7 MEAS. THRESH.



INFORMATION

For more data on menu items, refer to Function description on page 24.

How to use thresholds



INFORMATION

If there is a parasitic signal above the level and the threshold is too low, the device can incorrectly use it as the level signal.

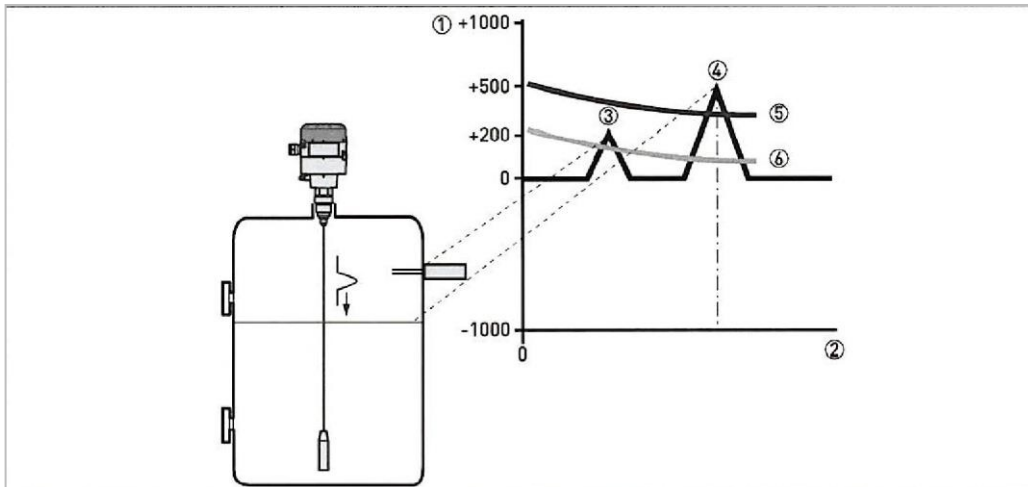


Figure 6-4: Signal intensity/distance graph: thresholds

- 1 Signal intensity given as a fraction of the reference pulse (measured in thousandths)
- 2 Distance from the process connection
- 3 Parasitic signals. A signal from a level switch that is in the limits of the electromagnetic field around signals probe.
- 4 Level signals of the tank contents
- 5 The level threshold is correct. The device ignores the parasitic signal and measures level correctly.
- 6 The level threshold is too low. The device can use the parasitic signal as the level signal.

If the parasitic signal is smaller than the correct level, you can manually change the threshold to find the signal. This procedure tells you how to change the level threshold to find the correct signal:

- Look at the menu item 2.5.6 MEAS. AMP.
 - Make a note of the amplitude of the correct level signal.
- Go to 2.5.7 MEAS. THRESH.
- Increase the amplitude of the level threshold.
 - This value must be more than the incorrect signal. We recommend that you set the level threshold at half the amplitude of the correct signal.
- Save the settings.
 - The threshold increases. It ignores the parasite signal and uses the first signal it finds.

6.5 Status and error messages

6.5.1 Status markers

If the device senses a change in device status, the display screen will show 1 or more status markers.

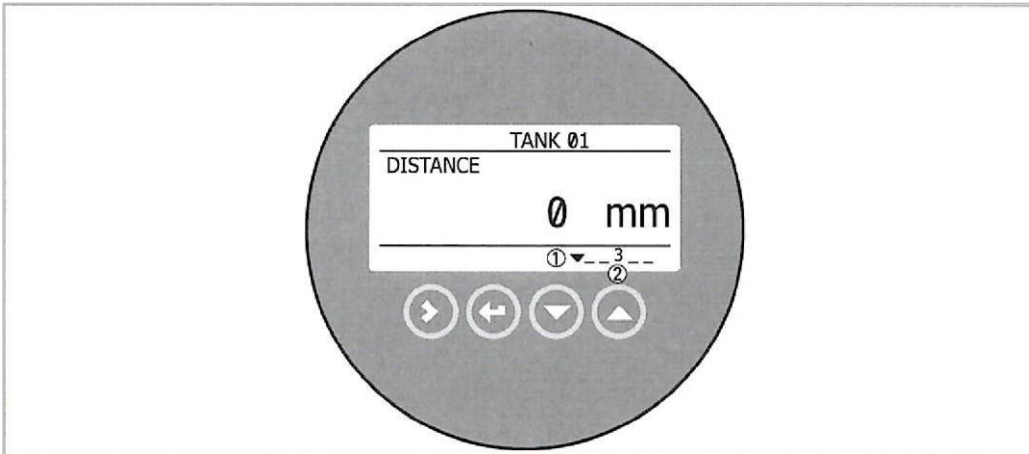


Figure 6-5: Status markers

1 Status marker line

2 When the status marker is on, a number is shown

Status markers

Code	Name	Description
1	Hardware problem	The device's hardware is defective. Contact the supplier.
2	No reference pulse	Reference amplitude is less than reference threshold. This fault could occur because the device hardware is defective. For more data, refer to Error handling on page 54.
3	Low voltage / Measurement old	This error occurs if the power supply is not enough to operate the device correctly for 1 minute. After 1 minute the error message "Measurement old" is recorded. The output current changes to an error value after a time given in menu item 2.4.5 ERROR DELAY. For more data, refer to Error handling on page 44.
4	Level lost	The device cannot find the product surface or the end of the probe (when $\epsilon < 1.6$). The measurement stops at the last measured value.

For data on errors, refer to Error handling on page 44.

6.5.2 Error handling

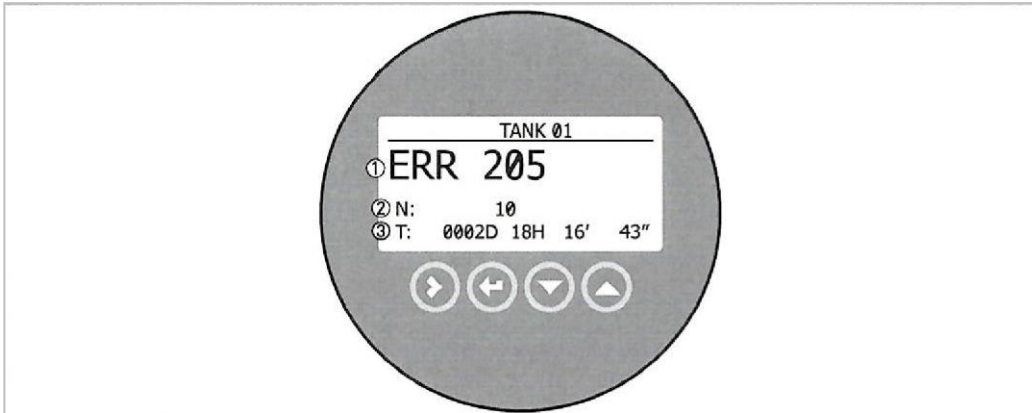


Figure 6-6: Error record data

- 1 Error code for the error
- 2 Number of times the error occurred
- 3 Time since the last error record

How to find an error record

- Press [>] and [▲] to enter configuration mode from normal mode.
- Press [>], 9 × [▲] and [>] to go to menu item 2.10.0 ERROR RECORD.
- Press 2 × [>] to look at the error list. Press [▲] or [▼] for the selection of an error.
- Press [>] to read more data.
 - The error record gives the number of times the error occurred and the time since the last error message.
 -



INFORMATION

The time since the error occurred is measured in Days (D), Hours (H), Minutes (') and Seconds ("). It only includes the time when the device is energized. The error is saved in the memory of the device when it is de-energized. The counter continues when the device is energized again.

Status markers

Problem	Status Marker Shown	Error Code Recorded	Error Message	Cause	Corrective Action
The measurement stops at the last measured value and the current output value is incorrect. The optional display	3	ERR 102	Temperature out of range	The ambient temperature is outside the given range. This can cause loss or corruption of data.	De-energize the device until the ambient temperature is back in the given range -40 to +176°F /(-40 to +80°C).

screen switches off automatically.					
The measurement stops at the last measured value and the current output value is incorrect.	1	ERR 103	Converter memory failure	The device's hardware is defective.	Contact the supplier.
	1	ERR 104	Converter voltage failure	The device's hardware is defective.	Contact the supplier.
The display reading does not change and the current output value is incorrect.	2	ERR 200	Reference pulse lost	Reference amplitude is less than reference threshold. This fault could occur because the device hardware is defective.	Contact your supplier to check that the electronics are still functioning correctly.
	1	ERR 201	Sensor voltage failure	The device's hardware is defective.	Contact the supplier.
The display reading does not change and the current output value is incorrect.	4	ERR 202	Level lost error	The device cannot find the product surfaces.	Measure the level of the contents in the tank using another method of measurement. If the tank is empty (the level is below the end of the probe), then fill the tank until product level is in the measurement range. If the tank is full (the level is in the blocking distance), then remove the contents from the tank until the level is back in the measuring range. If the product was lost and the tank is neither full nor empty, wait for the device to find the level again.

				The device cannot find the level return signal	Refer to MEAS. AMP. (Measured Pulse Amplitude, menu item 2.5.6) and then adjust MEAS. THRESH. (measurement threshold, menu item 2.5.7).
The measurement and the current output value stops at the "full" value.	4	ERR 204	Overfill error	The tank is full. The level signal is lost in the full area. The measurement stops at the blocking distance value.	Danger of overflow! Remove the contents from the tank until it is at a safe level.
The measurement stops at the last measured value and the current output value is incorrect.	3	ERR 205	Measurement old	This error occurs if the power supply is not enough to operate the device correctly for approximately 30 seconds. After 1 minute the error message "Measurement old" is recorded.	Make sure that the power supply has a min./max. value of 14...30 VDC when current output is at 22 mA.
	3	ERR 206	No sensor detected	This error occurs if there is a problem with the power supply.	Contact the supplier.
	1			Defective wiring.	
	1	ERR 207	Sensor memory failure	The device's hardware is defective.	Contact the supplier.
	1	ERR 208	Oscillator failure	The device's hardware is defective.	Contact the supplier.

7 Services

7.1 Returning the device to the manufacturer

7.1.1 General information

This device has been carefully manufactured and tested. If installed and operated in accordance with these operating instructions, it will rarely present any problems.



CAUTION

Should you nevertheless need to return a device for inspection or repair, please pay strict attention to the following points:

- Due to statutory regulations on environmental protection and safeguarding the health and safety of our personnel, manufacturer may only handle, test and repair returned devices that have been in contact with products without risk to personnel and environment.
 - This means that the manufacturer can only service this device if it is accompanied the following certificate (see next section) confirming that the device is safe to handle.
-



CAUTION

Should If the device has been operated with toxic, caustic, flammable or water-endangering products, you are kindly requested:

- Due to statutory regulations on environmental protection and safeguarding the health and safety of our personnel, manufacturer may only handle, test and repair returned devices that have been in contact with products without risk to personnel and environment.
 - This means that the manufacturer can only service this device if it is accompanied the following certificate (see next section) confirming that the device is safe to handle.
-

7.1.2 Form (for copying) to accompany a returned device

Company:	Address:
Department:	Name:
Tel. no.:	Fax no.:
Manufacturer's order no. or serial no.:	

The device has been operated with the following medium:	
This medium is:	Water-hazardous
	Toxic
	Caustic
	Flammable
	We checked that all cavities in the device are free from such substances.
	We have flushed out and neutralized all cavities in the device.
We hereby confirm that there is no risk to persons or the environment through any residual media contained in the device when it is returned.	
Date:	Signature:
Stamp:	

7.2 Disposal



CAUTION

Disposal must be carried out in accordance with legislation applicable in your country.

8 Technical Data

8.1 Measuring principle

This Guided Radar (TDR) level meter has been developed from a proven technology called Time Domain Reflectometry (TDR).

The device transmits low-intensity electromagnetic pulses of approximately one nanosecond width along a rigid or flexible conductor. These pulses move at the speed of light. When the pulses reach the surface of the product to be measured, the pulses are reflected to the signal converter.

The device measures the time from when the pulse is transmitted to when it is received: half of this time is equivalent to the distance from the reference point of the device to the surface of the product. The time value is converted into an output current of 4...20 mA.

Dust, foam, vapour, agitated surfaces, boiling surfaces, changes in pressure, changes in temperature, changes in dielectric constant and changes in density do not influence device performance.

TDR measurement of level

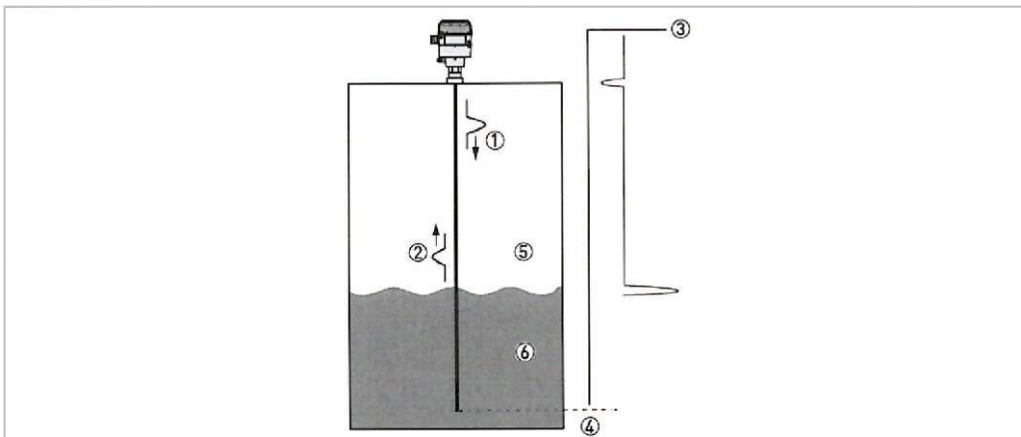


Figure 8-1: TDR measurement of level

- 1 Transmitted pulse
- 2 Reflected pulse
- 3 Pulse amplitude
- 4 Time of flight
- 5 Air, $\epsilon_r = 1$
- 6 Liquid, $\epsilon_r \geq 1.6$.

8.2 Technical data



INFORMATION

The time since the error occurred is measured in Days (D), Hours (H), Minutes (') and Seconds ("). It only includes the time when the device is energized. The error is saved in the memory of the device when it is de-energized. The counter continues when the device is energized again.

Converter

Measuring system

Application	Level and volume measurement of liquids and pastes.
Measuring principle	TDR (time domain reflectometry)
Construction	Measuring probe attached directly to a signal converter

Operating conditions

Ambient temperature	-40 to +176°F (-40 to +80°C) Integrated LCD display: -20 to +60°C / -5 to +140°F; if the ambient temperature is not in these limits, the display switches off
Storage temperature	-60 to +185°F (-50 to +85°C)
Protection category	IP 66/67

Materials

Housing	Polyester-coated aluminium
Cable entry	½ NPT (without cable gland)

Electrical connections

Power supply (terminals)	14 to 30 VDC
Current output load	$RL [\Omega] \leq ((U_{ext} - 14 V)/22 \text{ mA})$. For more data, refer to Minimum power supply voltage on page 63.
Cable entry capacity (terminal)	0.5 to 1.5 mm ²

Input and output

Measured variable	Time between the emitted and received signal
Output signal	4 to 20 mA or 3.8 to 20.5 mA
Resolution	±1 µA
Error signal options	High: 22 mA; Low: 3.6 mA Hold (frozen value)

Display and user interface

User interface options	LCD display (128 × 64 pixels in 8-step greyscale with 4-button keypad)
Languages	9 languages are available: English, German, French, Italian, Spanish, Portuguese, Japanese, Chinese (Mandarin) and Russian

Approvals and certification

CE	This device fulfils the statutory requirements of the EC directives. The manufacturer certifies successful testing of the product by applying the CE mark.
Vibration resistance	EN 60068-2-27, -29, -34
EMC	Electromagnetic Compatibility Directive 2004/108/EC in conjunction with EN 61326-1 (2006). The device agrees with this standard if: <ul style="list-style-type: none"> - the device has a coaxial probe or - the device has a single probe that is installed in a metallic tank.

Probe options

Segmented Coaxial 1/2"(Ø14mm)	Single Cable 1/8"(Ø2mm)	Single Cable 1/4"(Ø4mm)
----------------------------------	-------------------------	-------------------------

Measuring system

Application	Level measurement of liquids
Measuring range	1 to 20 m / 3.3 to 65.6 ft
Dead zone	This depends on the type of probe. For more data, refer to Measurement limits on page 53.

Measuring accuracy

Accuracy	± ½"(±10 mm), when distance ≤ 10 m / 33 ft; ±0.1% of measured distance when distance > 10 m / 33 ft
Resolution	1/16"(1mm)
Repeatability	±3/4"(±20mm)
Maximum rate of change at 4 mA	10 m/min / 32.8 ft/min

Operating conditions

Temperature	-60 to +212°F (-50 to +100°C)
Pressure	-1 to 16 barg / -14.5 to 232 psig
Viscosity	10000 mPa.s
Dielectric constant	> 2.1

Materials

Probe	Stainless steel (1.4401 / 316)
Gasket (process seal)	EPDM
Process connection	Stainless steel (1.4404 / 316L)

Process connections

Thread	G 3/4to1A; 3/4to1 NPT
Measuring range	1 to 20 m / 3.3 to 65.6 ft
Dead zone	This depends on the type of probe. For more data, refer to Measurement limits on page 53.

8.3 Minimum power supply voltage

Use this graph to find the minimum power supply voltage for a given current output load.

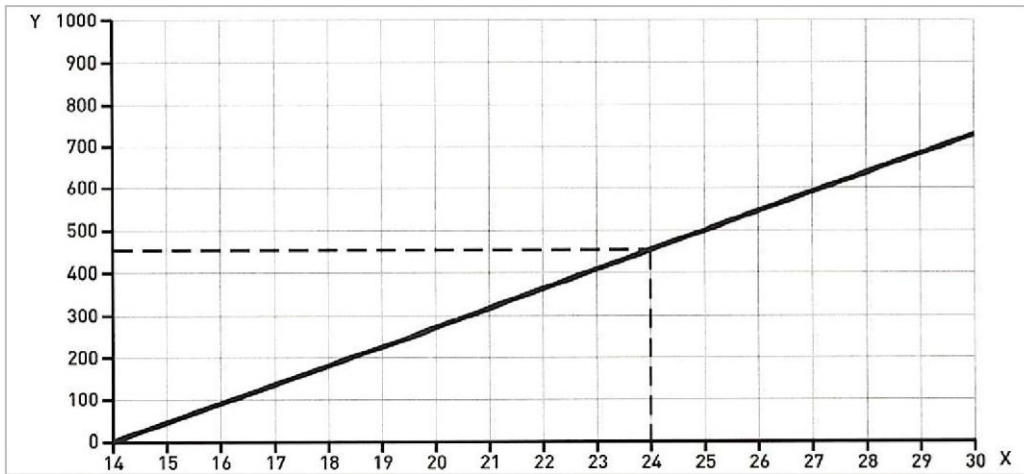


Figure 8-2: Minimum power supply voltage for an output of 22 mA at the terminal

X: Power supply U [VDC]

Y: Current output load RL [Ω]

8.4 Measurement limits

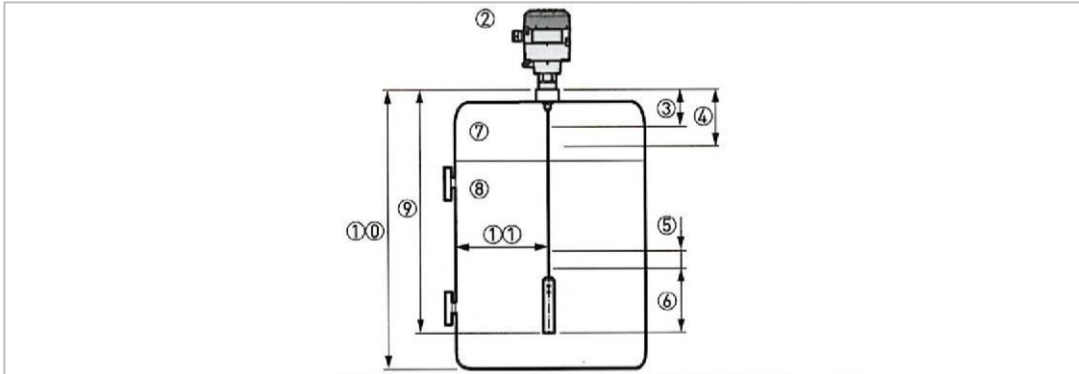


Figure 8-3: Measurement limits

1. Device with a single cable probe
2. Top dead zone: Top part of the probe where measurement is not possible
3. Top non-linearity zone: Top part of the probe with a lower accuracy of $+1\ 1/2"$ or $1/2"$ ($+40\text{mm}$ to -10mm)
4. Bottom non-linearity zone: Bottom part of the probe with a lower accuracy of $\pm 1\ 1/4"$ ($\pm 30\text{mm}$)
5. Bottom dead zone: Bottom part of the probe where measurement is not possible
6. Gas (Air)
7. Product
8. L, Probe length
9. Tank Height
10. Minimum distance from the probe to a metallic tank wall: Single cable probes = $12"$ (300mm).

Measurement limits (dead zone) in mm and inches

Dead zone	$\epsilon_r = 80$		$\epsilon_r = 2.3$	
	Single cable probes	Top [2]	Bottom [6]	Top [2]
In (mm)		In (mm)	In (mm)	In (mm)
4"(100mm)		4 1/2"(110mm)	6"(150mm)	4 1/2"(110mm)

Measurement limits (non-linearity zone) in mm and inches

Dead zone	$\epsilon_r = 80$		$\epsilon_r = 2.3$	
	Single cable probes	Top [4]	Bottom [5]	Top [4]
In (mm)		In (mm)	In (mm)	In (mm)
10"(250mm)		3"(80mm)	10"(250mm)	5 1/2"(140mm)

80 is ϵ_r of water; 2.3 is ϵ_r of oil

8.5 Dimensions and weights

Converter

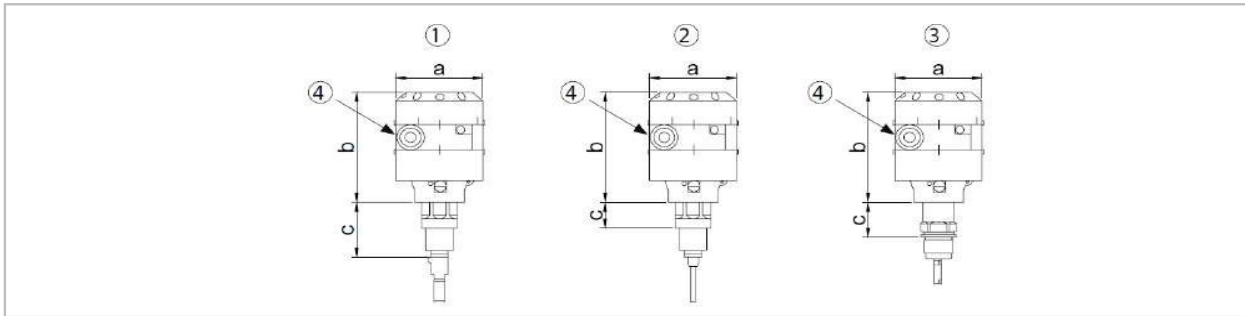
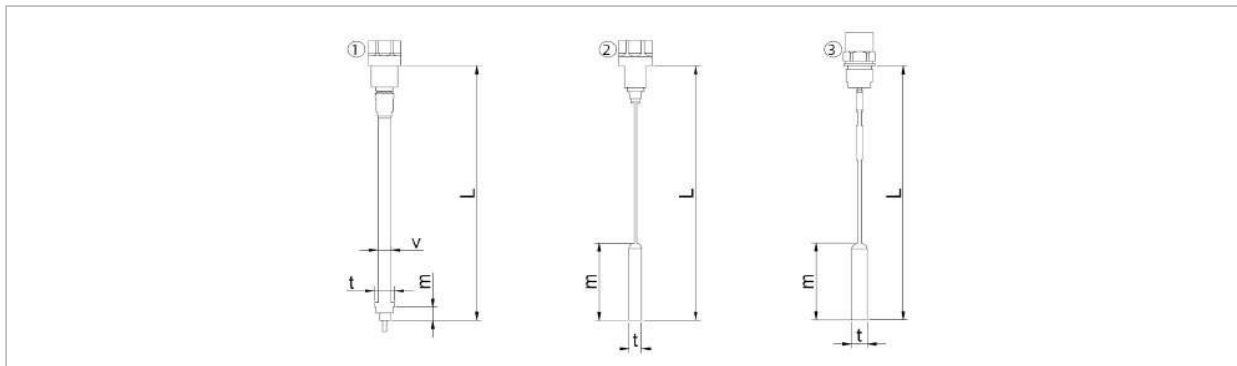


Figure 8-4: Converter dimensions

1. Converter with a coaxial probe
2. Converter with a 1/8" (Ø2mm) single cable probe
3. Converter with a 1/4" (Ø4mm) single cable probe
4. The diameter of the outer sheath of the cable must be 1/4" to 1/2" (6 to 12mm) (cable entry size M20 × 1.5)

	Dimensions			Weights	
	Øa	b	c	kgs	lbs
	In (mm)	In (mm)	In (mm)		
1 and 2	4" (104)	5 1/2" (141)	1 1/2" (34)	3.3	7.3
3	4" (104)	5 1/2" (141)	1 3/4" (45)	3.3	7.3

Probes



L is the total length of the probe. This includes the length of the counterweight for cable probes and the probe end cap for coaxial probes.

m is the length of the counterweight or the bottom of the probe end cap for coaxial probes

1. 1/2" (Ø14mm) coaxial probe
2. 1/8" (Ø2mm) single cable probe
3. 1/4" (Ø4mm) single cable probe



INFORMATION

For more data, refer to Measurement limits on page 53.

Probes: Dimensions and Weights in mm and kg

Probes	Dimensions					Weights	
	L min.	L max.	m	t	v		
	In (mm)	In (mm)	In (mm)	In (mm)	In (mm)	kg	lbs
Coaxial \varnothing 1/2" (\varnothing 14mm)	29"(730) ①	162 1/2"(4067) ②	1/2"(15)	3/4"(\varnothing 21)	1/2"(\varnothing 14)	0.45 ③	0.30
Single Cable \varnothing 1/8"(2mm)	40"(1000) ①	800"(20000)	4"(100)	1/2"(\varnothing 14)	-	0.4	0.88
Single Cable \varnothing 1/4"(4mm)	40"(1000) ①	400"(10000)	4"(100)	3/4"(\varnothing 20)	-	1.2	2.64

- (1) All the probes can be shortened on site
- (2) The coaxial probe can be supplied in 6 standard lengths: 29"(730mm), 55 7/8"(1397mm), 82 1/2"(2065mm), 109 1/2"(2732mm), 136"(3400mm) or 162 1/2"(4067mm)
- (3) This is the weight for each segment of the coaxial probe

8.6 Model Chart

Example	Tek-Flex 4100B	3	1	1	XXXX	N	Tek-Flex 4100B-3-1-1-XXX-N
Series	1						Two-Wire Loop-Powered TDR Level Meter
Process Connection		1 2 3					3/4" NPT 1 1/2" NPT 1" NPT
Probe Type			1 2				Coaxial Probe (10' Max.) 2 mm Wire Probe (60' Max.)
Electrical				1			Two 1/2" NPT
Probe Length					XXXX		Probe Length in Inches
Display						N LCD	No Display Programming Display



TEKMATION LLC reserves the right to change the designs and/or materials of its products without notice. The contents of this publication are the property of
TEKMATION LLC © 2021. All rights reserved. Copyright © 2021. TEKMATIUM LLC
TEKMATION LLC
DOCTEK/PO/INN/211119/41008/01.2



www.tek-trol.com

Tek-Trol LLC

796 Tek Drive Crystal Lake, IL 60014,
USA
Sales: +1 847-655-7428

Tek-Trol Solutions BV

Florijnstraat 18, 4879 AH Etten-Leur,
Netherlands
Sales: +31 76-2031908

Tek-Trol Middle East FZE

SAIF Zone, Y1-067, PO BOX No.
21125, Sharjah, UAE
Sales: +971-6526-8344

Support: +1 847-857-6076

Email: tektrol@tek-trol.com

www.tek-trol.com

Tek-Trol is a fully owned subsidiary of TEKMATIUM LLC. We offer our customers a comprehensive range of products and solutions for process, power and oil & gas industries. Tek-Trol provides process measurement and control products for Flow, Level, Temperature & Pressure Measurement, Control Valves & Analyzer systems. We are present in 15 locations globally and are known for our knowledge, innovative solutions, reliable products and global presence.

Flow | Level | Temperature | Pressure | Valves | Analyzers | Accessories | TekValSys