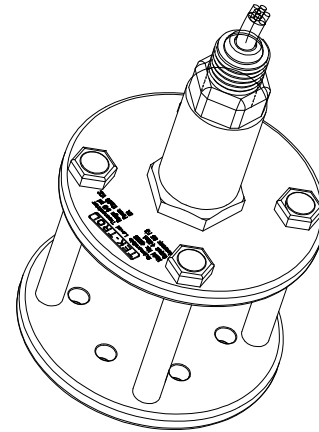
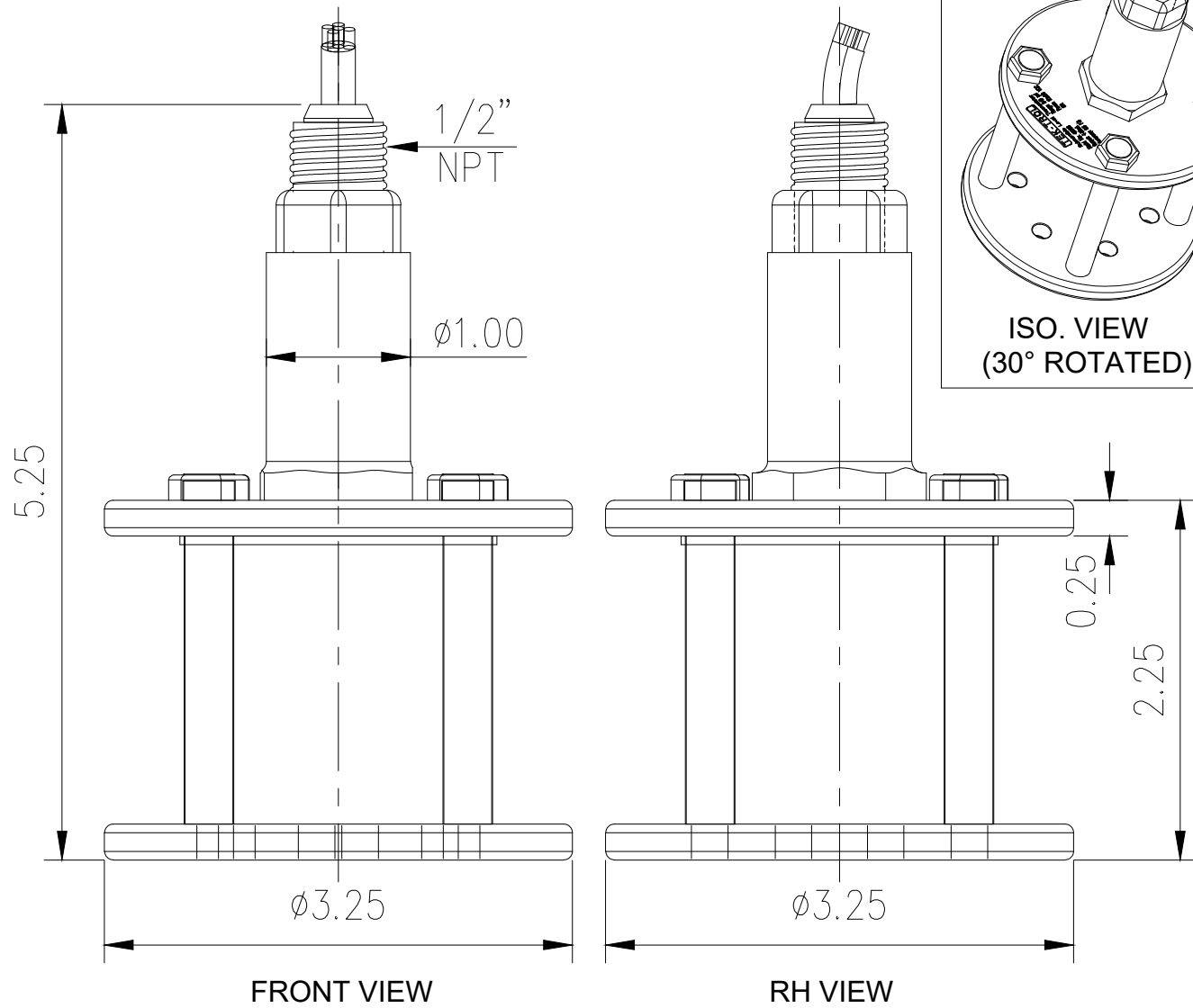


ALL DIMENSIONS ARE IN INCHES

FOR REFERENCE USE ONLY



ISO. VIEW
(30° ROTATED)



FRONT VIEW

RH VIEW

APPROVAL CODE CONTROLLED UNCONTROLLED

CATEGORY :- VERSION : A

DRAWING. NO. :- TEK-SUB-4800D-GAD REV : 00

DOCUMENT TITLE : GAD FOR
TEKTROL 4800D MODEL
SUBMERSIBLE LEVEL TRANSMITTER

PROJECTION SHEET NO:
1 OF 1
SCALE : N.T.S



Tek-Trol LLC
796 Tek Drive,
Crystal Lake, IL 60014, USA

00	06-FEB-2023	INITIAL STAGE	AD	SS	UN
REV.	DATE	DESCRIPTION	PREP. BY	CHD. BY	APPD. BY

CUSTOMER :-
P.O. NO. :-
PROJECT :-
END USER :

This drawing, principle & the elements of design embodied therein are the exclusive property of TEK-TROL LLC. and are not to be communication, disclosed, reproduced or used except as previously authorized in writing by such cooperation & must not be submitted to outside parties for examination without consent of said corporation.